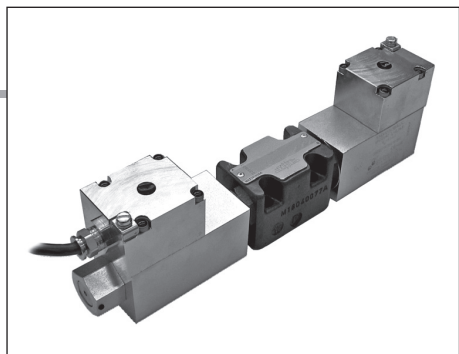


# AD3XG... DIRECTIONAL CONTROLE CETOP 3 IN ACCORDANCE WITH 2014/34/UE ATEX DIRECTIVE



**SOLENOID VALVES FOR USE IN WORKPLACES WHERE EXPLOSIVE ATMOSPHERES  
MAY OCCUR DUE TO THE PRESENCE OF GAS, VAPOUR OR MIST AND DUST.**

1

AD3XG solenoid valves are classified in:

**Group II** appliances (to be used in workplaces, apart from mines, where there is the probability of explosive atmospheres);

**category 2** (high protection level), for use in workplaces where it is probable that an explosive atmosphere may form in normal working conditions and classified by the presence of explosive mixtures of gas-dust type (letter **GD**) for zones **1, 2** and **21, 22**.

These valves are therefore designed especially and manufactured in compliance with the ATEX 2014/34/UE Directive and according to European regulations EN 1127-1, EN 1127-2, EN 13463-1 and EN 13463-5.

Belonging to the "NG06 direction control" range, these valves are prepared for plate-mounting with attachment surface in compliance with UNI ISO 4401 - 03 - 02 - 0 - 94 (former CETOP R 35 H 4.2-4-03). They are activated electrically and the centre position is ensured by springs with gauged lengths, which once the pulse or command ceases, re-position the spool in the centre or at the end of travel position.

The coils used for these valves are subject to separate conformity certification, according to the ATEX Directive (EC-type). For further specifications, please consult the documents that are always supplied with the valve.

Before marking and marketing the valves of the AD3XG series, undergo tests and inspections according to the in-house Manufacturing System and to the Certified Company Quality System in compliance with ISO 9001:2008. All of the AD3XG valve series undergo 100% functional testing. These tests and inspections guarantee that the products sold comply with all the information reported in the Technical Specifications File registered and declared by marking with AD3X/ATEX/10.

AD3XG...	
ATEX DIRECTIVE	CAP. I • 23
ATEX CLASSIFICATION	CAP. I • 24
SERIES AD3XG...	CAP. I • 29
TECHNICAL SPECIFICATIONS	CAP. I • 29
ORDERING CODE	CAP. I • 29
TAB.1 ASSEMBLY	CAP. I • 30
TAB.2 VOLTAGES	CAP. I • 30
TAB.3 SPOOL	CAP. I • 30
LIMITS OF USE	CAP. I • 30
IDENTIFICATION NAMEPLATE	CAP. I • 31
SAFETY INSTRUCTIONS	CAP. I • 31
OVERALL DIMENSIONS	CAP. I • 32

## ORDERING CODE

<b>AD</b>	Directional Control Valve
<b>3</b>	CETOP 3/NG06
<b>XG</b>	Solenoid valves built pursuant to ATEX Directive-2014/34/UE. With coils in explosion-proof version (Ex d) and IECEx conformity marked.
<b>**</b>	Temperature Class <b>T4</b> (T <sub>sur</sub> < 135 °C) <b>T6</b> (T <sub>sur</sub> < 85 °C)
<b>**</b>	Spools <b>01/02/03/04/16</b> (tab.3). For further hydraulic diagrams, contact our Customer Service
<b>*</b>	Assembly <b>C / E / F / G / H</b> (tab.1). For further assembly instructions, contact our Customer Service
<b>*</b>	Voltage (tab.2)
<b>**</b>	Variants <b>00</b> = None <b>V1</b> = Viton <b>LE</b> = Emergency lever
<b>1</b>	Serial number

## TECHNICAL SPECIFICATIONS

Description	AD3XG T4...	AD3XG T6...
<b>Valve marking</b>	<b>CE Ex II 2 GD cT4</b>	<b>CE Ex II 2 GD cT6</b>
Max. pressure on lines P/A/B (1)	350 bar	350 bar
Max. pressure on line T (dynamic) (2)	250 bar	250 bar
Max. flow rate	80 l/min	80 l/min
Max. excitation frequency	3 Hz	3 Hz
Duty cycle	100%ED	100%ED
Hydraulic fluids	mineral oils DIN 51524	mineral oils DIN 51524
Fluid viscosity	10 ÷ 500 mm <sup>2</sup> /s	10 ÷ 500 mm <sup>2</sup> /s
<b>Fluid temperature (3)</b>	<b>-30°C ÷ +70°C</b>	<b>-30°C ÷ +70°C</b>
<b>Ambient temperature</b>	<b>-40°C ÷ +80°C</b>	<b>-40°C ÷ +50°C</b>
Max. contamination level (filter β <sub>25</sub> ≥ 75)	ISO 4406:1999: class 21/19/16 NAS 1638: class 10	ISO 4406:1999: class 21/19/16 NAS 1638: class 10
Weight (one solenoid)	3 kg	3 kg
Weight (two solenoids)	5 kg	5 kg
Coil rated power	8,5 W	8,5 W
Degree of protection	IP 67	IP 67
Power supply tolerance	±10%	±10%
Power supply cable	standard length 3m with cable gland	standard length 3m with cable gland
Coil marking (4):	consult documents supplied with coil	consult documents supplied with coil
Surface temperature	< 135°C	< 85°C

(1) Dynamic pressure allowed on P for 800.000 cycles.

(2) Pressure dynamic allowed for 1 million of cycles.

(3) AD3XG valves have been certified for minimum fluid temperatures up to -30°C. Please contact our Technical department for applications at fluid temperatures < -25°C.

(4) Coil is provided with marking for protection class according to Explosion Protection Directive ATEX-2014/34/UE and IECEx certificate of conformity mark.

# AD3XG... DIRECTIONAL CONTROLE CETOP 3

## IN ACCORDANCE WITH 2014/34/UE ATEX DIRECTIVE

1

**TAB.1 ASSEMBLY**

STANDARD	
<b>C</b>	Two solenoids centred
<b>E</b>	One solenoid (side A)
<b>F</b>	One solenoid (side B)
<b>Specials (with increased price)</b>	
<b>G</b>	
<b>H</b>	

**TAB.2 VOLTAGES**

AC Voltage for AD3XG	
<b>A</b>	24V 50Hz/60Hz
<b>B</b>	48V 50Hz/60Hz
<b>C</b>	110V 50Hz/60Hz
<b>D</b>	220V 50Hz/60Hz
<b>I</b>	230V 50Hz/60Hz
DC Voltage for AD3XG	
<b>L</b>	12V
<b>M</b>	24V
<b>P</b>	110V
<b>N</b>	48V
<b>U</b>	36V
<b>6</b>	60V
<b>G</b>	125V

The tension symbol is always printed on the nameplate.

**TAB.3 SPOOL**

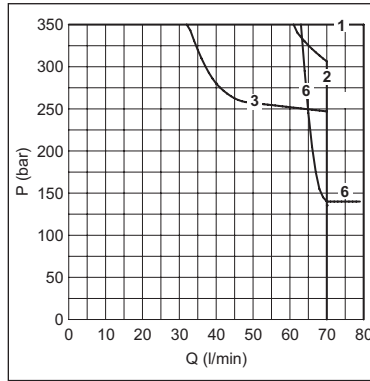
Two solenoids - Assembly C			
Spool type	Covering	Transient position	
<b>01</b>	+		
<b>02</b>	-		
<b>03</b>	+		
<b>04*</b>	-		

One solenoid - Assembly E			
Spool type	Covering	Transient position	
<b>01</b>	+		
<b>02</b>	-		
<b>03</b>	+		
<b>04*</b>	-		
<b>16</b>	+		

One solenoid - Assembly F			
Spool type	Covering	Transient position	
<b>01</b>	+		
<b>02</b>	-		
<b>03</b>	+		
<b>04*</b>	-		
<b>16</b>	+		

(\*) spool with increased price

**LIMITS OF USE (MOUNTING C-E-F)**



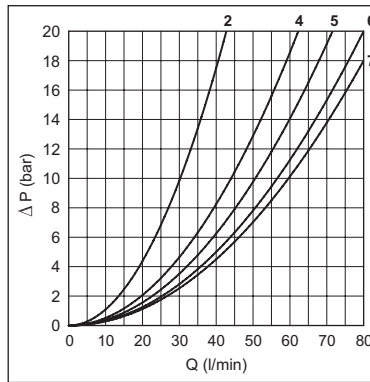
**NOTE:** The limit of use are valid for C, E, F assembly.

Spool type	Curve
01	1
02	1
03	3
04	2
16	6

The tests have been carried out with solenoids at operating temperature with a voltage 10% less than rated voltage with a fluid temperature of 40°C. The fluid used was a mineral oil with a viscosity of 46 mm<sup>2</sup>/s at 40°C. The values in the diagram refers to tests carried out with the oil flow in two direction simultaneously (e.g.. from P to A and in the same time B to T).

**In cases where valves 4/2 e 4/3 were used with the flow in one direction only, the limits of use could have variations which may even be negative.**

**PRESSURE DROPS**



The diagram at the side shows the pressure drop curves for spools during normal usage. The fluid used is a mineral oil with a viscosity of 46 mm<sup>2</sup>/s at 40°C; the tests have been carried out at a fluid temperature of 40°C. For higher flow rates than those in the diagram, the losses will be those expressed by the following formula:

$$\Delta p_1 = \Delta p \times (Q_1/Q)^2$$

where  $\Delta p$  will be the value for the losses for a specific flow rate Q which can be obtained from the diagram,  $\Delta p_1$  will be the value of the losses for the flow rate Q<sub>1</sub> that is used.

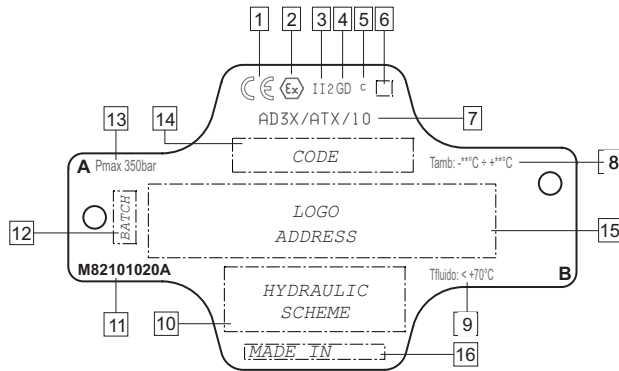
Spool type	Connections				
	P→A	P→B	A→T	B→T	P→T
01	5	5	5	5	6
02	7	7	7	7	6
03	5	5	6	6	
04	2	2	2	2	4
16	5	5	4	4	

Curve No.

# AD3XG... DIRECTIONAL CONTROLE CETOP 3

## IN ACCORDANCE WITH 2014/34/UE ATEX DIRECTIVE

### IDENTIFICATION NAMEPLATE AND MARKING



All the solenoid valves are supplied with **identification nameplate and Declaration of conformity** subject to Directive 2014/34/UE.

The identification nameplate bears the main technical specifications related to the functional and constructional characteristics of the valve and **must therefore be kept intact and visible**.

1	CE	Conformity to European Directive
2	Ex	Conformity to ATEX Directive 2014/34/UE
3	II 2	Group II (surface places) Category 2 (high protection)
4	GD	Explosive atmosphere: <b>GD</b> : presence of gas, vapour or mist and combustible dust
5	c	Constructional safety
6	T*	Temperature class: <b>T4</b> ( $T_{sur} < 135\text{ °C}$ ) series AD3XG T4 <b>T6</b> ( $T_{sur} < 85\text{ °C}$ ) series AD3XG T6
7	AD3X/ATX/10	Reference to Technical File registered c/o Notified Body
8	T amb	Working ambient temperature: - $40\text{ °C} \div + 80\text{ °C}$ series AD3XG T4 - $40\text{ °C} \div + 50\text{ °C}$ series AD3XG T6

9	T fluid	Working fluid temperature: - $30\text{ °C} \div + 70\text{ °C}$ series AD3XG
10	HYDRAULIC SCHEME	Type of hydraulic control performed by the valve
11	M82101020A	Nameplate code
12	BATCH	Reference number of technical order (batch)
13	Pmax 350 bar	Max. working pressure
14	CODE	Complete reference number of valve ordering code
15	LOGO ADDRESS	Logo and address
16	MADE IN	Preferential origin

### SAFETY INSTRUCTIONS

- Read the instruction handbook supplied with the valves carefully before installation. All maintenances must be carried out following the instructions given in the manual.
- The AD3XG series valves must be installed and serviced in compliance with plant engineering and maintenance regulations for workplaces classified against the risk of explosion due to the presence of gas and dust and gas (for example: CEI EN 60079-14, CEI EN 60079-17, CEI EN 61241-14, CEI EN 61241-17 or other national regulations/standards).
- The valves must be connected to earth using the special anti-loosening and anti-rotation connection element.
- For all safety aspects related to the use of the coils, consult the relative use and maintenance instructions. The electrical appliances/components must not be opened when live.
- The user must periodically inspect, based on the conditions of use and the substances used, the presence of scale, dirt, the state of wear and tear and correct efficiency of the valves.

**Attention: all installation and maintenance jobs must be carried out by qualified personnel.**

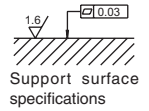
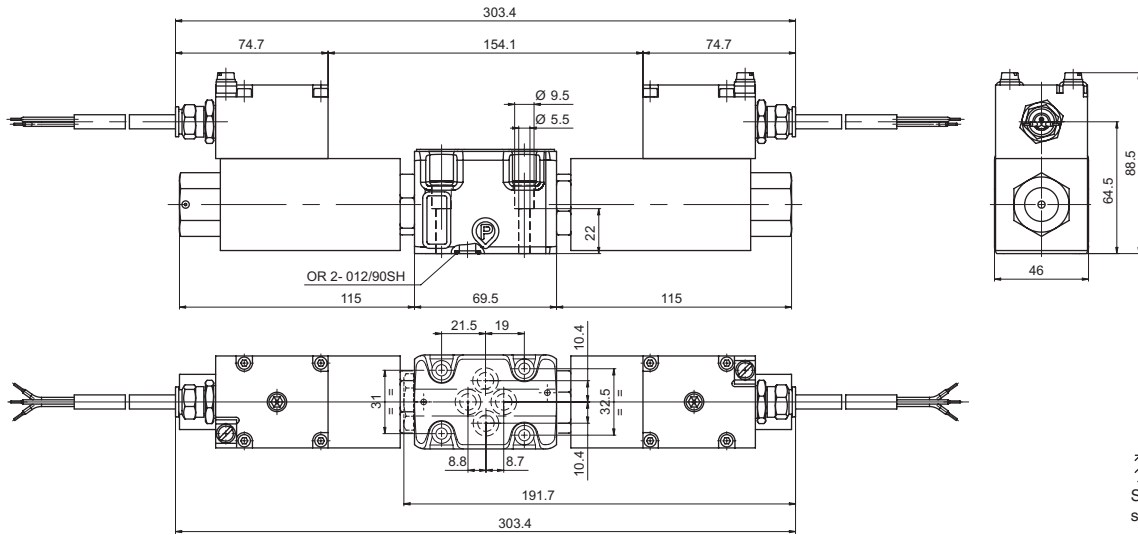
# AD3XG... DIRECTIONAL CONTROLE CETOP 3

IN ACCORDANCE WITH 2014/34/UE ATEX DIRECTIVE

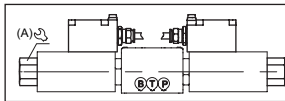
## OVERALL DIMENSIONS

1

### AD3XG...

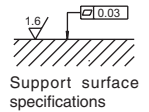
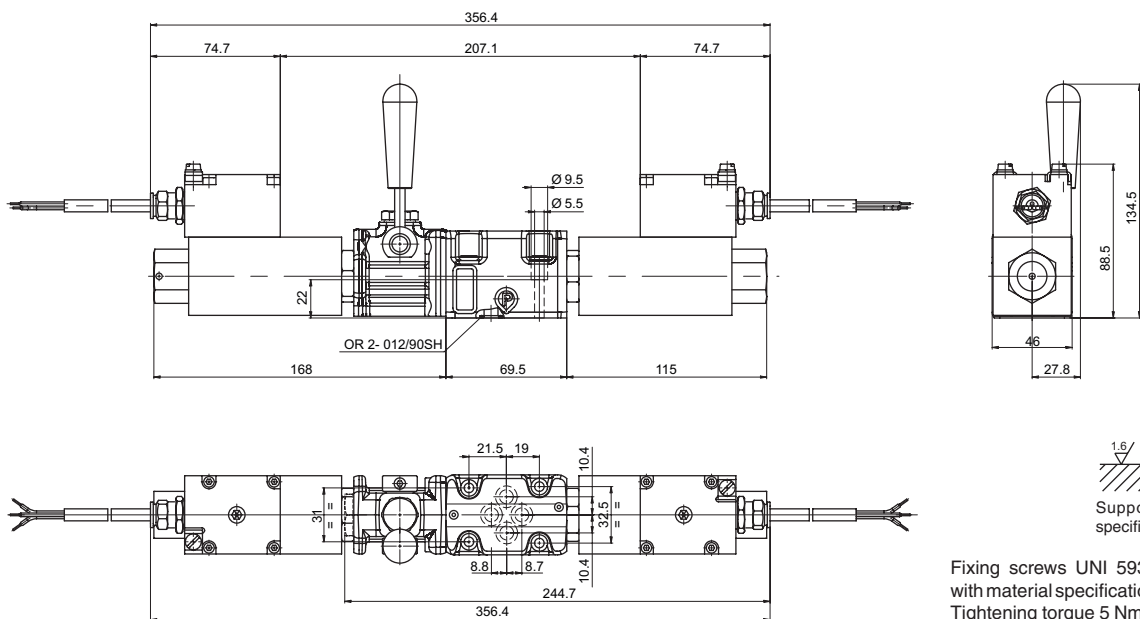


Fixing screws UNI 5931 M5x30  
with material specification min. 8.8  
Tightening torque 5 Nm / 0.5 kgm



Should it be necessary to change the coils position, fastener ring nut A as described in the solenoid valve assembly instructions.

### AD3XG...LE.



Fixing screws UNI 5931 M5x30  
with material specification min. 8.8  
Tightening torque 5 Nm / 0.5 kgm