

AM3VR...

CVR.20... CATALOGO CARTUCCE
SCREWS AND STUDS CAP. IV • 21

AM3VR... MODULAR REDUCING VALVES WITH RELIEVING - PILOT OPERATED CETOP 3

These pressure reducing valves ensure a minimum pressure variation on the P or A port with changing flow rate up to 90 l/min.

Three spring types allow adjustment within the range 7 ÷ 250 bar. Manual adjustment is available by a grub screw or plastic knob.

The RELIEVING SYSTEM inside the valve AM3VR allows the passage from the setting pressure line to T line of the flow through the valve to avoid the increasing of pressure in the reduced-pressure line by diverting exceeding flow to reservoir. A bypass module with check valve for free flow from A to AR port (see hydraulic symbol) is available..

Max. operating pressure 350 bar
Setting ranges: spring 1 max. 60 bar
spring 2 max. 120 bar
spring 3 max. 250 bar

Maximum allowed Δp pressure between the inlet and outlet pressure 150 bar
Max. flow 40 l/min
Draining on port T 0,5 ÷ 0,7 l/min
Hydraulic fluids Mineral oils DIN 51524
Fluid viscosity 10 ÷ 500 mm²/s
Fluid temperature -25°C ÷ 75°C
Ambient temperature -25°C ÷ 60°C
Max. contamination level class 10 in accordance with NAS 1638 with filter $\beta_{25} \geq 75$
Weight 1,36 Kg
Weight bypass version 2 Kg

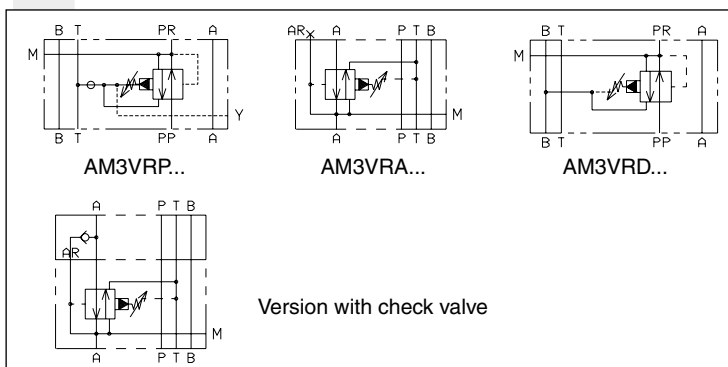
ORDERING CODE

- AM** Modular valve
- 3** CETOP 3/NG6
- VR** Pilot operated pressure reducing valve with relieving
- *** Control on lines
P = Drain on T
A = Drain on T
D = Drain on B reduct pressure on A
- *** Drain connection
E = External (only for control on the P line)
I = Internal (Standard)
- B** Version with bypass on line A only
Omit if not required
- *** Type of adjustment
M = Plastic knob
C = Grub screw
- *** Setting ranges
1 = max. 60 bar (**white spring**)
2 = max. 120 bar (**yellow spring**)
3 = max. 250 bar (**green spring**)
- **** 00 = No variant
V1 = Viton
- 1** Serial No

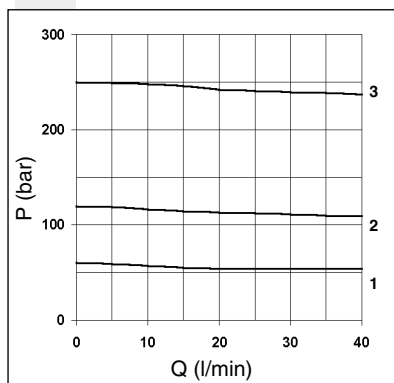
To changes valves AM3VRP... from internal to external drainage it is necessary:
- screw out the plug on the "Y" port
- screw out the plug T.C.E.I. M8x1 from the body
- screw in a screw S.T.E.I. M6
- rescrew the T.C.E.I. M8x1 plug on the body

NOTE: the external draining can be used as a piloting line (please, contact our technical department for other informations)

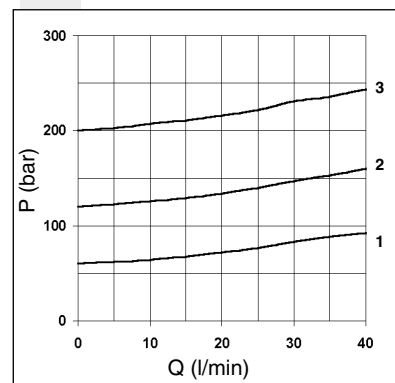
HYDRAULIC SYMBOLS



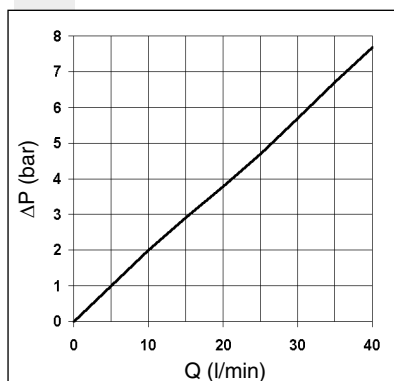
PRESSURE-FLOW RATE



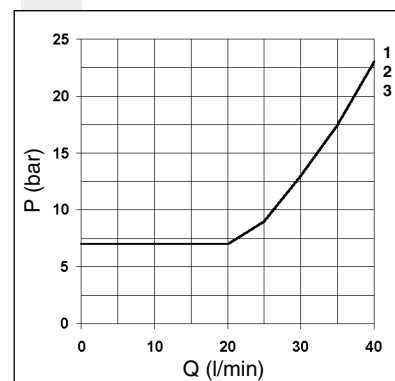
PRESSURE-FLOW OF RELIEVING



ΔP AM3+VR... + BYPASS



MINIMUM SETTING PRESSURE

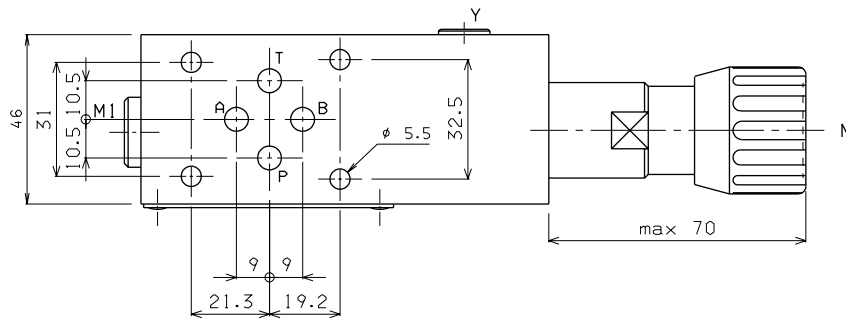
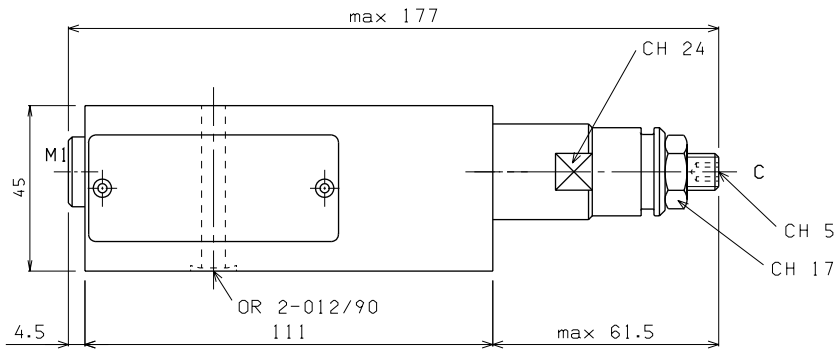


Curves n° 1 - 2 - 3 = setting ranges

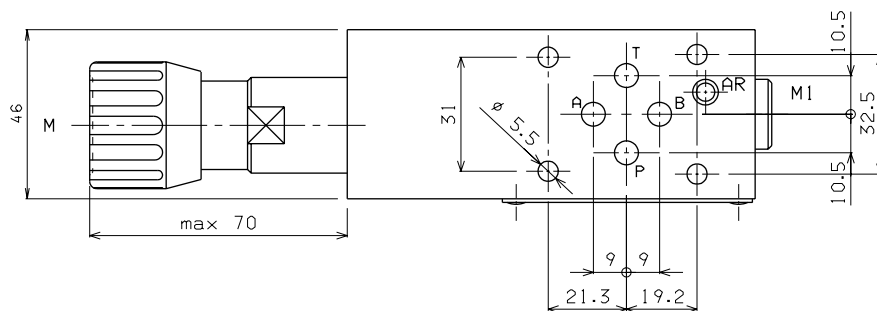
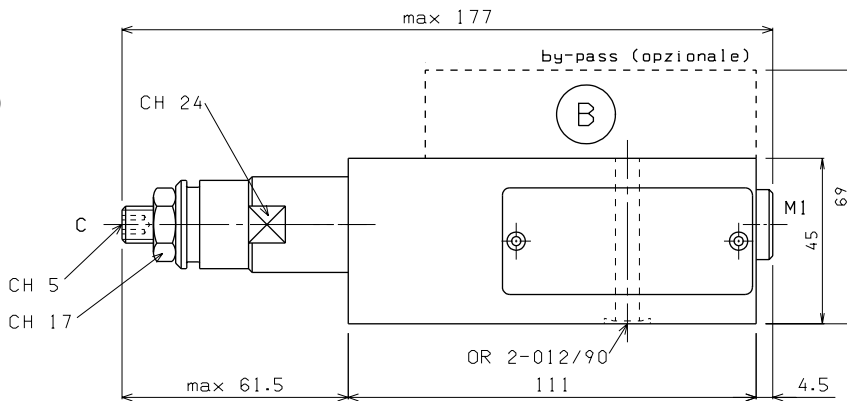
The fluid used is a mineral oil with a viscosity of 46 mm²/s at 40°C. The tests have been carried out a fluid temperature of 50°C.

OVERALL DIMENSIONS

AM.3.VR.P... / AM.3.VR.D...



(B) Bypass (optional)
 Ordering code:
 V89.45.000
 (if ordered separately)

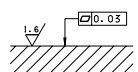


Type of adjustment

M Plastic knob

C Grub screw

Support plane specifications



4