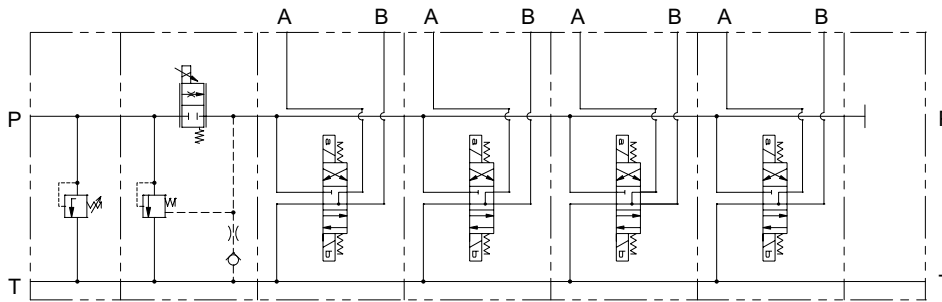


## EXAMPLE WITH NOT COMPENSATED VALVES - SIZE 6

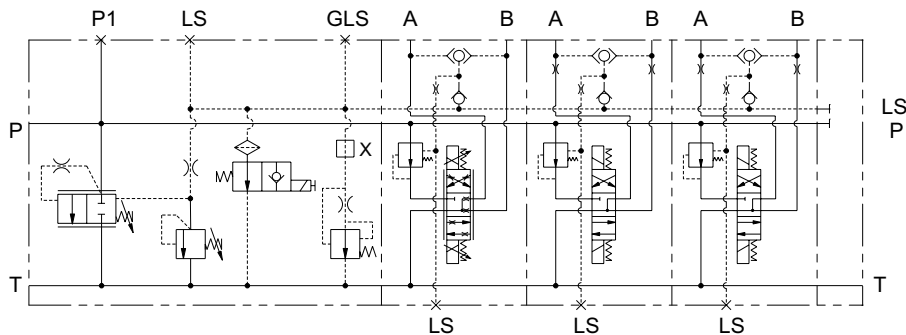


<p><b>FE1031C3002</b></p> <ul style="list-style-type: none"> <li>• Inlet module unit with pressure relief valve</li> <li>• Size 3</li> <li>• Port G3/8"</li> <li>• Adjustment pressure with grub screw</li> <li>• Setting range: 320 bar</li> <li>• No variant</li> <li>• Serial No. 2</li> </ul>	<p><b>CXQ3CTIDFS12</b></p> <ul style="list-style-type: none"> <li>• Open loop proportional compensated flow regulator</li> <li>• Size 3</li> <li>• 3 way compensation with secondary line</li> <li>• Flow rates 25 l/min</li> <li>• With decompression</li> <li>• Coil 1.76A (12 VDC)</li> <li>• No variant</li> <li>• Serial No. 2</li> </ul>	<p><b>4 x CDC3AE03CLS12</b></p> <ul style="list-style-type: none"> <li>• No. 4 directional control bankable valves</li> <li>• Size 3</li> <li>• Parallel body ports G3/8"</li> <li>• Electrical operator</li> <li>• Spool 03</li> <li>• Mounting C double solenoid</li> <li>• Coil 12 VDC</li> <li>• No variant</li> <li>• Serial No. 2</li> </ul>	<p><b>FU31002</b></p> <ul style="list-style-type: none"> <li>• Outlet module unit</li> <li>• Size 3</li> <li>• Port size T G3/8"</li> <li>• No variant</li> <li>• Serial No. 2</li> </ul>	<p><b>V89B50025</b></p> <ul style="list-style-type: none"> <li>• Mounting kit for 5 bankable valves and inlet module unit FE10</li> </ul>	<p><b>*</b></p> <ul style="list-style-type: none"> <li>• It is not need to specify the fixing kit, standard supplied</li> </ul>
---	--	--	---	---	---

No. 8 connectors black

**8 x V86050002**

## EXAMPLE WITH COMPENSATED VALVES - SIZE 6



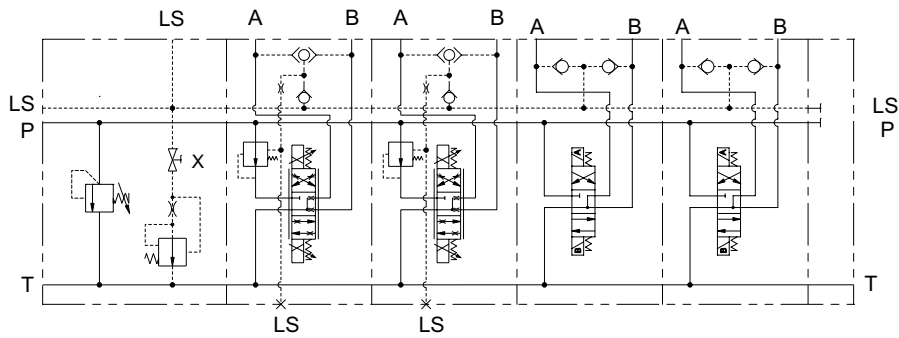
5

<p><b>FEH30PQ33C3MS11</b></p> <ul style="list-style-type: none"> <li>• Open center inlet module for fixed displacement pumps</li> <li>• Electrical venting valve</li> <li>• Pressure compensator element</li> <li>• Ports G1/2"</li> <li>• Adjustment pressure with grub screw</li> <li>• Setting range: &gt;150 bar</li> <li>• Voltage venting valve 24 VDC</li> <li>• No variant</li> <li>• Serial No. 1</li> </ul>	<p><b>CXDH3CA03N48GS11</b></p> <ul style="list-style-type: none"> <li>• Proportional compensated valve</li> <li>• Size 3</li> <li>• Double solenoid</li> <li>• Parallel body ports G3/8"</li> <li>• Spool 03</li> <li>• Symmetrical flow path control</li> <li>• Flow rating 35 l/min</li> <li>• Differential pressure 8 bar</li> <li>• Coil 24 VDC (0.88A)</li> <li>• No variant</li> <li>• Serial No. 1</li> </ul>	<p><b>2 x CDH3AE03C104MS11</b></p> <ul style="list-style-type: none"> <li>• No. 2 ON/OFF compensated valve</li> <li>• Size 3</li> <li>• Parallel body ports G3/8"</li> <li>• Electrical operator</li> <li>• Spool 03</li> <li>• Double solenoid</li> <li>• Holed washer on port A/B 1.3 l/min</li> <li>• Differential pressure 4 bar</li> <li>• Coil 24 VDC</li> <li>• No variant</li> <li>• Serial No. 1</li> </ul>	<p><b>FUH35001</b></p> <ul style="list-style-type: none"> <li>• Outlet module unit</li> <li>• Size 3</li> <li>• Port size T G3/4"</li> <li>• No variant</li> <li>• Serial No. 1</li> </ul>	<p><b>V89B50003</b></p> <ul style="list-style-type: none"> <li>• Mounting kit for 3 bankable valves and inlet module unit FEH30PQ</li> </ul>	<p><b>V89B60000</b></p> <ul style="list-style-type: none"> <li>• Fixing feet kit for inlet module FEH30PQ and outlet module FUH</li> </ul>
---	--	--	--	--	--

N. 6 connectors black  
N. 1 connector grey

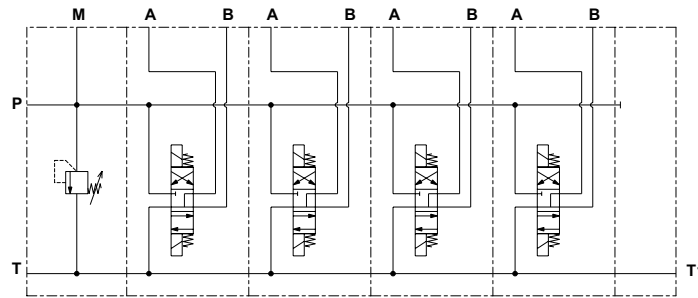
**6 x V86050002**  
**1 x V86050004**

## EXAMPLE WITH COMPENSATED AND NOT COMPENSATED VALVES - SIZE 6



<p><b>FEH30LS33C2001</b></p> <ul style="list-style-type: none"> <li>• Closed center inlet module for variable displacement load sensing pumps</li> <li>• LS signal</li> <li>• Size 3</li> <li>• Ports G1/2"</li> <li>• Adjustment pressure with grub screw</li> <li>• Setting range: 140 bar</li> <li>• No variant</li> <li>• Serial No. 1</li> </ul>	<p><b>2 x CXDH3CA03N34GS11</b></p> <ul style="list-style-type: none"> <li>• No. 2 proportional compensated valves</li> <li>• Size 3</li> <li>• Double solenoid</li> <li>• Parallel body ports G3/8"</li> <li>• Spool 03</li> <li>• Symmetrical flow path control</li> <li>• Flow rating 18 l/min</li> <li>• Differential pressure 4 bar</li> <li>• Coil 0.88A (24 VDC)</li> <li>• No variant</li> <li>• Serial No. 1</li> </ul>	<p><b>2 x CD3LE03CMS12</b></p> <ul style="list-style-type: none"> <li>• N. 2 directional control valves</li> <li>• Size 3</li> <li>• Parallel body ports G3/8" LS version</li> <li>• Electrical operator</li> <li>• Spool 03 mounting C</li> <li>• Double solenoid</li> <li>• Coil 24 VDC</li> <li>• No variant</li> <li>• Serial No. 2</li> </ul>	<p><b>FUH35001</b></p> <ul style="list-style-type: none"> <li>• Outlet module unit</li> <li>• Size 3</li> <li>• Port size T G3/4"</li> <li>• No variant</li> <li>• Serial No. 1</li> </ul>	<p><b>V89B50004</b></p> <ul style="list-style-type: none"> <li>• Mounting kit for 4 bankable valves and inlet module unit FEH30LS</li> </ul>	<p><b>V89B60000</b></p> <ul style="list-style-type: none"> <li>• Fixing feet kit for inlet module FEH30LS and outlet module FUH</li> </ul>
<p>N. 4 connectors black N. 4 connector grey</p>					<p><b>4 x V86050002</b> <b>4 x V86050004</b></p>

## EXAMPLE WITH DIRECTIONAL CONTROL VALVES - SIZE 10

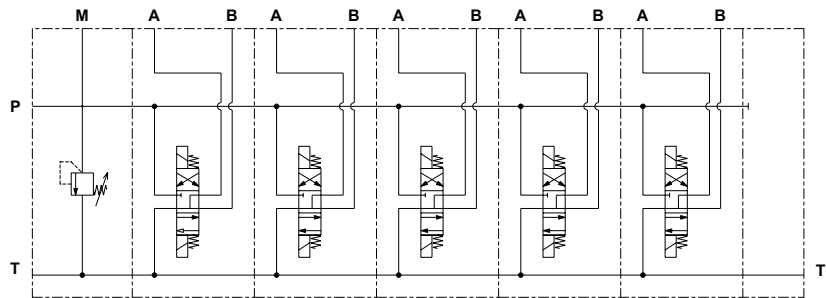


<b>FE3053C3001</b>	<b>4 x CD5N03CLS10</b>	<b>FU53001</b>	<b>*</b>
<ul style="list-style-type: none"> <li>Inlet module unit with pressure relief valve</li> <li>Size 5</li> <li>Port G1/2"</li> <li>Adjustment pressure with grub screw</li> <li>Setting range: 350 bar</li> <li>No variant</li> <li>Serial No. 1</li> </ul>	<ul style="list-style-type: none"> <li>No. 4 directional control bankable valves</li> <li>Size 5</li> <li>Parallel body ports G1/2"</li> <li>Electrical operator</li> <li>Spool 03</li> <li>Mounting C double solenoid</li> <li>Coil 12 VDC</li> <li>No variant</li> <li>Serial No. 1</li> </ul>	<ul style="list-style-type: none"> <li>Outlet module unit</li> <li>Size 5</li> <li>Port size T G3/4"</li> <li>No variant</li> <li>Serial No. 1</li> </ul>	<ul style="list-style-type: none"> <li>* Without feet kit, mounting on bottom position on inlet and outlet module</li> </ul>

No. 8 connectors black

**8 x V86050002**

## EXAMPLE WITH DIRECTIONAL CONTROL VALVES - SIZE 10 AND SIZE 6



6

<b>FE3053C2001</b>	<b>2 x CD5N03CLS10</b>	<b>2 x CD3AE03CLS12</b>	<b>1 x CDC3AE03CLS12</b>	<b>FU53001</b>	<b>V89B60001</b>
<ul style="list-style-type: none"> <li>Inlet module unit with pressure relief valve</li> <li>Size 5</li> <li>Port G1/2"</li> <li>Adjustment pressure with grub screw</li> <li>Setting range: 140 bar</li> <li>No variant</li> <li>Serial No. 1</li> </ul>	<ul style="list-style-type: none"> <li>No. 2 directional control bankable valves</li> <li>Size 5</li> <li>Parallel body ports G1/2"</li> <li>Electrical operator</li> <li>Spool 03</li> <li>Mounting C double solenoid</li> <li>Coil 12 VDC</li> <li>No variant</li> <li>Serial No. 1</li> </ul>	<ul style="list-style-type: none"> <li>No. 2 directional control bankable valves</li> <li>Size 3</li> <li>Parallel body ports G3/8"</li> <li>Electrical operator</li> <li>Spool 03</li> <li>Mounting C double solenoid</li> <li>Coil 12 VDC</li> <li>No variant</li> <li>Serial No. 2</li> </ul>	<ul style="list-style-type: none"> <li>No. 1 directional control bankable valves</li> <li>Size 3</li> <li>Parallel body ports G3/8"</li> <li>Electrical operator</li> <li>Spool 03</li> <li>Mounting C double solenoid</li> <li>Coil 12 VDC</li> <li>No variant</li> <li>Serial No. 2</li> </ul>	<ul style="list-style-type: none"> <li>Outlet module unit</li> <li>Size 5</li> <li>Port size T G3/4"</li> <li>No variant</li> <li>Serial No. 1</li> </ul>	<ul style="list-style-type: none"> <li>Fixing feet kit for inlet module FE305 and outlet module FU5</li> </ul>

Maximum working pressure is defined by the lower pressure of the used valves.

No. 10 connectors black

**10 x V86050002**