

BS5RGA... / BS5RIA... SPECIAL SUBPLATE MOUNTINGS WITH AUTOMATIC EXCLUSION REGENERATING CIRCUIT



BS5RGA... / BS5RIA...

AD5I... CAP. I • 47

These special subplates, with relief valve, have integrated a regenerative circuit which disengages automatically with increasing load.

This circuit allows a fast movement of the cylinder with low working pressure followed by an automatic disengagement of the regenerative function at the set pressure, consequent a higher hydraulic force is available.

Furthermore in the BS5RIA version the automatic reciprocating valve allows a continuous movement of the cylinder till the stop of the pump.

The reciprocating valve has a preferential position which allows the cylinder to begin always in the same position at the start of the working cycle (P → B).

This systems are particularly useful for garbage compactors or small presses.

Max. pump flow (suggested)	30 l/min
Max. flow with regenerative connected	100 l/min
Max. operating pressure (relief valve)	350 bar
Max. operating pressure (exclusion)	200 bar
Hydraulic fluids	Mineral oils DIN 51524
Fluid viscosity	10 ÷ 500 mm ² /s
Fluid temperature	-25°C ÷ 75°C
Ambient temperature	-25°C ÷ 60°C
Max. contamination level	class 10 in accordance with NAS 1638 with filter $\beta_{25} \geq 75$
Weight BS5RGA... version	Kg 5,7
Weight BS5RIA... version	Kg 9,4

TYPICAL INSTALLATION VALUES

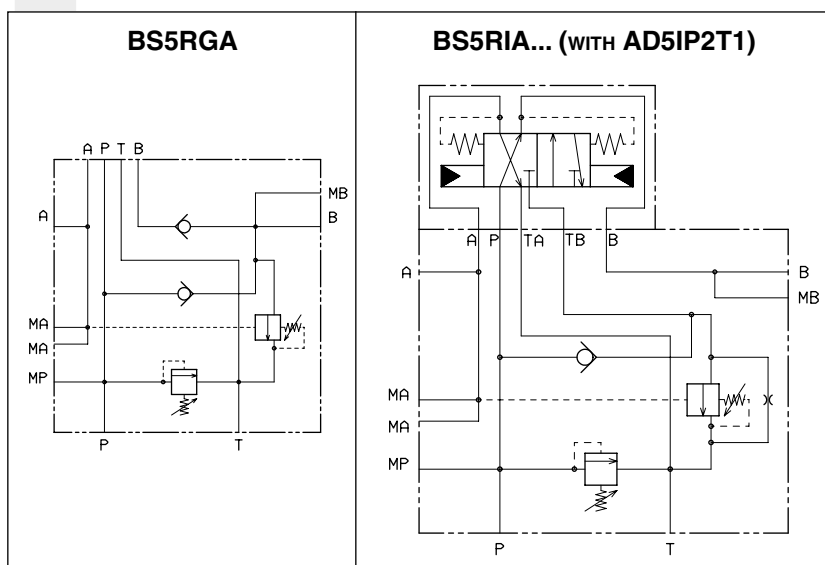
- Cylinder area ratio (α) **1,6 : 1**
- Pump flow (QP) **30 l/min**
- Type of oil **46 cSt a 40°**
- Regenerative flow (QR) **80 l/min** (for RGA standard subplate)
75 l/min (for RIA standard subplate)
- Min. exclusion pressure setting **70 bar**
- Max exclusion pressure setting **200 bar**
- Exclusion pressure drops **6 bar**

ORDERING CODE

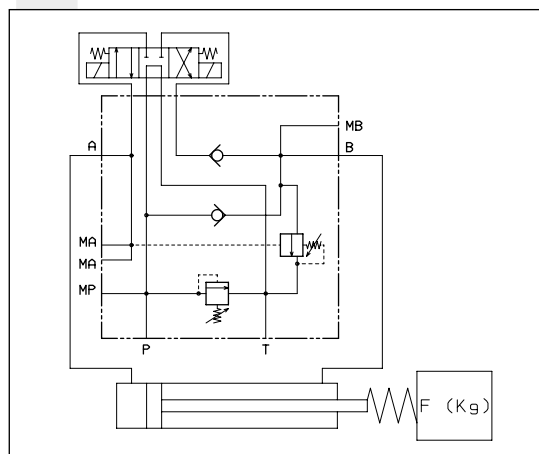
- | | |
|------------|--|
| BS | Single subplate mounting |
| 5 | CETOP 5/NG10 |
| *** | RGA = Automatic exclusion regenerating circuit with presetting for AD5E... |
| | RIA = Automatic exclusion regenerating circuit with AD5IP2T.1 included |
| U3 | Exclusion range
20 ÷ 200 - see note (*) |
| * | Adjustment (relief valve)
M = Plastic knob
C = Grub screw |
| * | Max relief setting ranges
2 = max. 140 bar (yellow spring)
3 = max. 350 bar (green spring) |
| ** | 00 = No variant |
| 2 | Serial No |

(*) These values depend on the hydraulic circuit configuration: flow, dimensions and system's frictions.

HYDRAULIC SYMBOLS



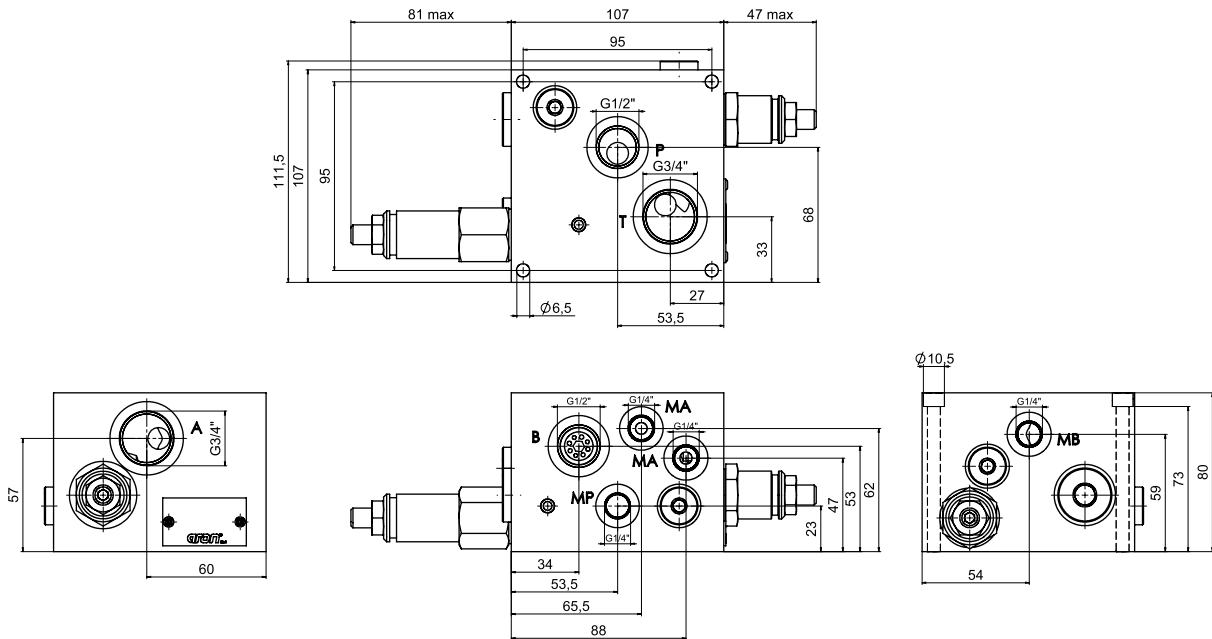
TYPICAL INSTALLATION FOR BS5RGA



BS5RGA... / BS5RIA... SPECIAL SUBPLATE MOUNTINGS WITH AUTOMATIC EXCLUSION REGENERATING CIRCUIT

OVERALL DIMENSIONS

BS5RGA...



BS5RIA... WITH AD5IP2T1

