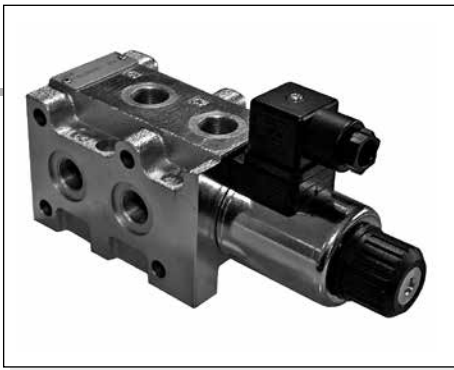


CDL066... STACKABLE CIRCUIT SELECTOR VALVES



The stackable circuit selector valves, type CDL.06.6, allows one single drive of 6 users with 5 elements connected in series.

As they are moved from high performances solenoids they don't need the external drainage.

This valves can manage high hydraulic powers with a minimal pressure drop.

Max. pressure	250 bar
Max. flow	50 l/min
Overlap	negative
Hydraulic fluids	Mineral oils DIN 51524
Fluid viscosity	10 ÷ 500 mm ² /s
Fluid temperature	-25°C ÷ 75°C
Ambient temperature	-25°C ÷ 60°C
Max. contamination level	class 10 in accordance NAS with 1638 with filter β ₂₅ ≥ 75
Weight	see "Overall dimension"

CDL066...	
"40W" DC COILS	CAP. I • 74
CONNECTORS STANDARD	CAP. I • 20

ORDERING CODE

ORDERING CODE

CDL	Stackable circuit selector valve
06	Size NG06
6	No. of way (single element)
W	Threaded connectors 3/8" BSP
I	Internal drainage
*	No. of elements: 1 / 2 / 3 / 4 / 5
*	Voltage (Tab. 1)
**	Variants (Tab. 2)
1	Serial No.

TAB.1 - 40W COIL

DC VOLTAGE	
L	12V
M	24V
W	Without DC coil
Voltage codes are not stamped on the plate, their are readable on the coils.	

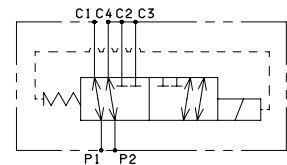
TAB.2 - VARIANTS

No variant (without connectors)	S1(*)
Viton	SV(*)
Emergency button	ES(*)
Rotary emergency button	P2(*)
Raccordements Deutsch DT04-2P	CZ
Other variants available on request.	

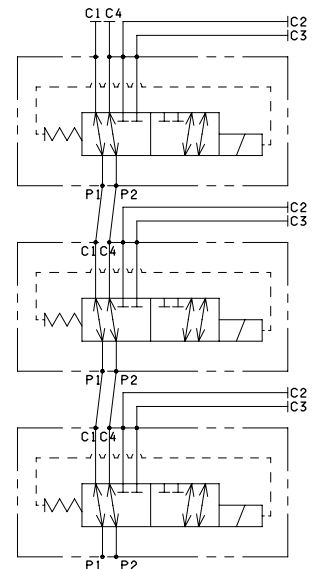
(*) Coils with Hirschmann connection supplied without connectors. The connectors can be ordered separately, CAP. I • 20.

HYDRAULIC SYMBOLS

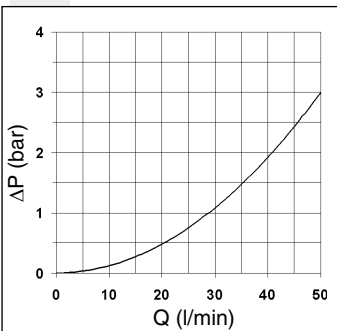
SINGLE ELEMENT



MULTISTATION CONNECTION



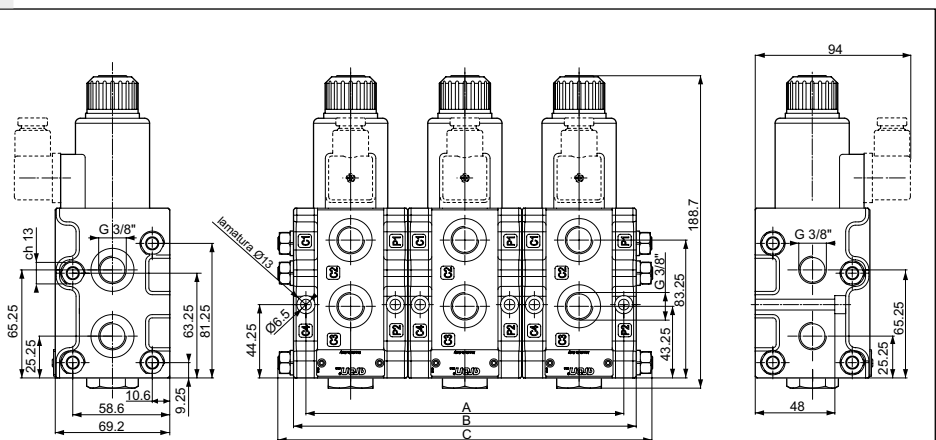
PRESSURE DROPS



— P1 → C1, P1 → C2, P2 → C3 e P2 → C4

The fluid used is a mineral oil with a viscosity of 46 mm²/s at 40°C; the tests have been carried out at a fluid temperature of 40°C.

OVERALL DIMENSIONS



Fixing screws UNI 5931 M6x60 with material specifications min. 8.8
Tightening torque for studs 8 Nm / 0.8 Kgm
Tightening torque for rods 20 Nm / 2 Kgm

(*) For multiple composition rods and studs are available.