

## CEPS.. ELECTRONIC AMPLIFIER PLUG VERSION FOR SINGLE SOLENOID PROPORTIONAL VALVE.



The electronic amplifier Plug version was designed in compliance whit EN 175301-803 (ex DIN43650), for direct mounting on the valve solenoid. The CEP.S can used whit proportional valves XD\*A..., XDP\*A..., XP3..., XQP\*..., CXQ3...

The output stage operates on the pulse width modulation principle (P.W.M.) and is provided with current feedback in order to obtain a solenoid output current proportional to the reference input signal.

Gain, minimum current and rise and fall ramp time adjustments are possible through the corresponding potentiometers fitted on top side of the card, and can be accessed by slackening the relative screw and opening the cover of the connector. While the output current to the solenoid can be measured via the Valve Current test points.

**SERIE 2, has the diode reverse polarity protection inside on the power line.**

### CEPS...

ELECTRICAL SPECIFICATIONS	CAP. IX • 2
OVERALL DIMENSIONS	CAP. IX • 2
FUNCTIONAL BLOCK DIAGRAM	CAP. IX • 3
ELECTRICAL CONNECTIONS	CAP. IX • 3
SETTINGS TOPOGRAPHY	CAP. IX • 3
REFERENCE SIGNAL	CAP. IX • 3

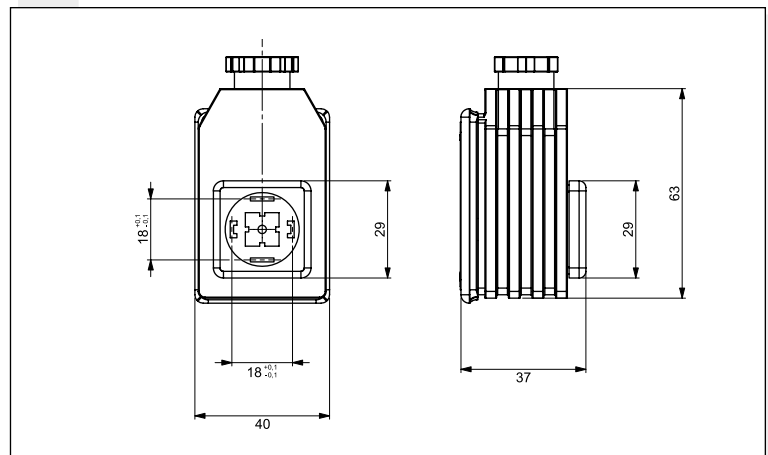
### ORDERING CODE

<b>CEP</b>	Electronic amplifier plug-in version
<b>S</b>	Single solenoid control
<b>RS</b>	Symmetrical ramp
<b>*</b>	Max. output current ( I <sub>max</sub> ) X = 0.88 Amp Y = 1.76 Amp Z = 2.50 Amp
<b>0</b>	Input reference signal 0 ÷ 10V
<b>*</b>	PWM frequency 2 = 400 Hz (per XP3) 3 = 150 Hz (standard)
<b>00</b>	<b>00 = No variant</b> <b>RW = Electrical circuit protected with silicone paint, for more moisture resistance</b>
<b>2</b>	Serial number

### ELECTRICAL SPECIFICATIONS

Power supply	12VDC o 24VDC
Peak supply	40VDC
Minimum power supply	10.5VDC
Required power	30W
Type of protection	IP65
Output current	I <sub>max</sub> = 0.88Amp
All range values are come from the ordering code	I <sub>max</sub> = 1.76Amp I <sub>max</sub> = 2.50Amp
External reference potentiometer	+10V, I <sub>max</sub> =5mA
Input signal reference	0 ÷ 10V
I minimum adjustment	0 ÷ 50% of I <sub>max</sub>
Gain adjustment	30% ÷ 100% of I <sub>max</sub>
Ramp time adjustment	0 ÷ 10 secondi
Operating Ambient temperature	-10C° ÷ +70°C
Current test point	1V = 1Amp
Weight	Kg. 0, 250

### OVERALL DIMENSIONS OF BOX AND CONNECTOR

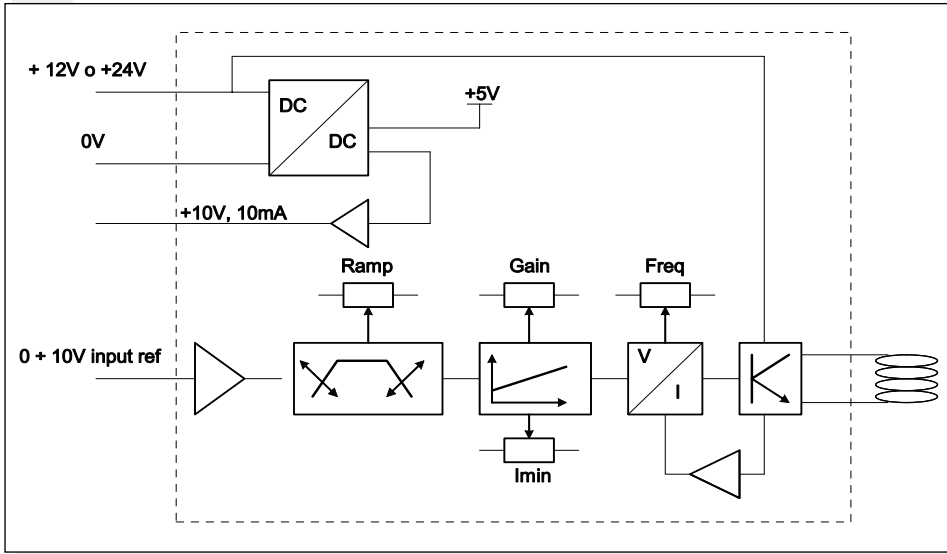


**CE** registered mark for industrial environment with reference to the electromagnetic compatibility. European norms:  
- EN61000-6-2 general safety norm - industrial environment  
- EN61000-6-4 emission general norm - residential environment

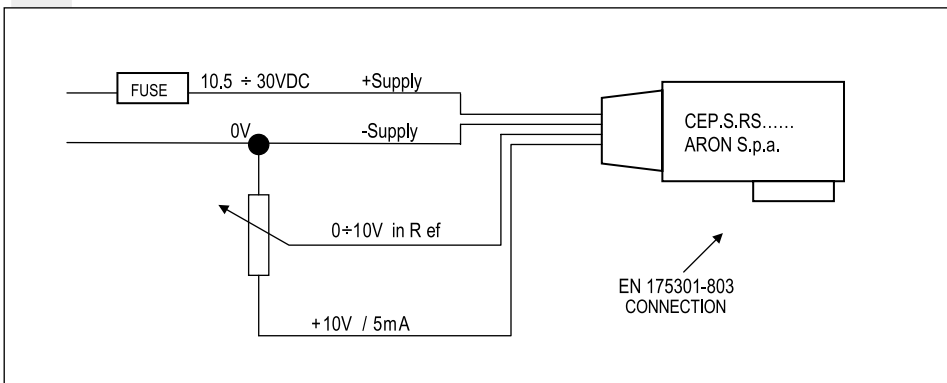
• Product in accordance with **RoHS** 2011/65/UE Europe Directive.

# CEPS.. ELECTRONIC AMPLIFIER PLUG VERSION

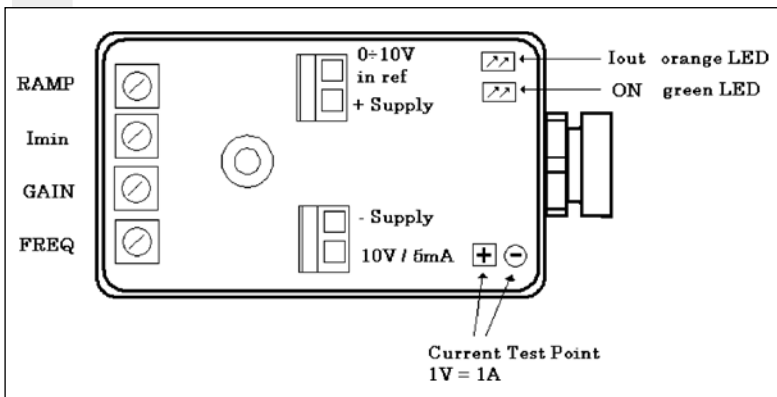
## FUNCTIONAL BLOCK DIAGRAM



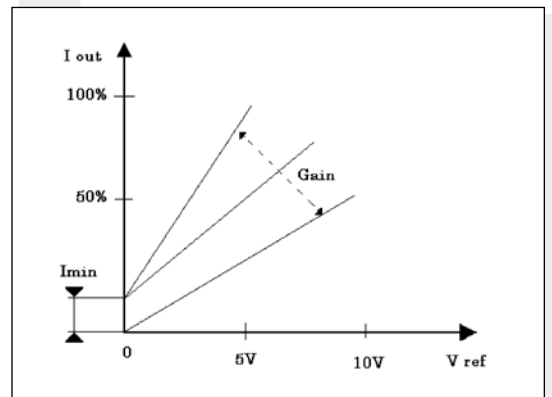
## ELECTRICAL EN 175301-803 CONNECTIONS



## SETTINGS TOPOGRAPHY



## REFERENCE SIGNAL



### POWER SUPPLY AND ELECTRICAL CONNECTIONS

The power supply voltage must be rectified and filtered, with a capacitor 4700 uF minimum. **Protect the power supply circuit with a 3 A fuse. Respect the polarity supply.** Use the cabling wire with 0.75 mm<sup>2</sup> or 1.0 mm<sup>2</sup> section. In order to facilitate the operation of wires connection, extract the card from the enclosure, introduce the wires through the gland-nut, connect the wires to the clips and finally to lodge the card into the inside of the connector.

**Installation and settings, see instruction manual (code P35160008) supplied with the product.**