

CARTRIDGE VALVES - COVERS

COVERS ORDERING CODE

KEC	Covers for logic element 2/2
**	16 = NG16 25 = NG25
**	Type of cover (see Tab. 3) RI = Directional with external piloting CQ = Directional with stroke adjustment RC = Directional with interface NG6 PC = With hydraulic outlet pilot valve SH = With built-in-exchange (shuttle) SP = With built-in-exchange and interface NG6
**	00 = No variant V1 = Viton
2	Serial No.

TAB. 1 - COVERS HYDRAULIC SYMBOLS

Type	Symbol
KEC**RI**2 Directional with external piloting	
KEC**CQ**2 Directional with stroke adjustment	
KEC**RC**2 Directional with interface NG6	
KEC**PC**2 With hydraulic outlet pilot valve	
KEC**SH**2 With built-in-exchange valve (shuttle)	
KEC**SP**2 With built-in-exchange valve (shuttle) and interface NG6	

CARTRIDGE VALVES - COVERS


HYDRAULIC MOUNTING SCHEMES FOR KEC COVERS AND KEL LOGIC ELEMENTS

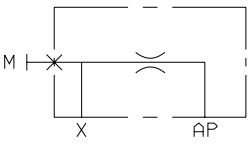
<p>KEC16/25RI... COVER WITH EXTERNAL PILOTING PORT</p> <p>A = External piloting X allows flow in both directions A → B and B → A. B = For rapid sequence safety circuit; A → B flow is allowed; when pressure reaches X valve closes. Only for CF variant (KEL.**:B... with drilled poppet), with no pressure in X it operates as a check valve between A and B.</p>	
<p>KEC16/25CQ... COVER WITH STROKE LIMITATION</p> <p>Allows flow regulation in both directions A → B and B → A. By limiting the spool stroke the flow in both direction can be limited.</p>	
<p>KEC16/25RC... COVER WITH INTERFACE NG6</p> <p>These covers have one mounting surface preset for a solenoid pilot valve. Proper connection of Y and Z2 to the A and/or B ports will allowing piloting of the valve opening and closing functions.</p>	
<p>KEC16/25PC... COVER WITH HYDRAULIC RELEASE PILOT VALVE</p> <p>This is a cover with external piloting to be connected to B port to obtain the standard unit function. Z1 pressure piloting allows flow transfer from B → A. Normally, in order to ensure the holding condition the main port B is connected to the load; piloting in Z1 should be at least 50% of the load pressure in B.</p>	
<p>KEC16/25SH... COVER WITH INTEGRAL CHANGEOVER VALVE</p> <p>The logic element closes as function of the larger pressure in X and Z1, selected by the shuttle valve.</p>	
<p>KEC16/25SP... COVER WITH INTEGRAL CHANGEOVER VALVE AND INTERFACE NG6</p> <p>The AP branch of the cartridge valve spring is connected with the pilot valve port. External piloting operates from Z2 → A of the pilot valve. An example is shown in the diagram of a type of connection used to keep the conical seat valve closed on both sides (interrupted flow both from A → B and from B → A).</p>	
<p>KRA16/25... COVER WITH ELECTRICAL CONTROL OF THE CLOSED POSITION AND INTERFACE NG6</p> <p>See cartridge type KRA... next pages</p>	

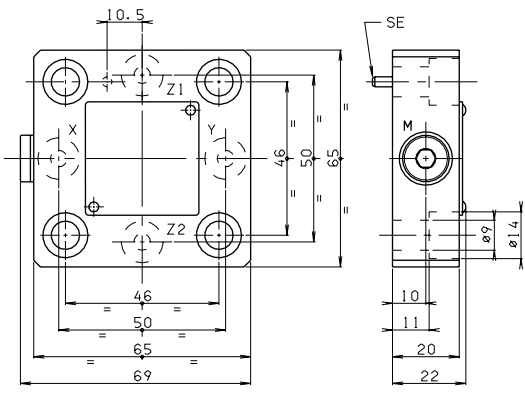
5

CARTRIDGE VALVES - COVERS

OVERALL DIMENSIONS KEC16RI... CHECK VALVE COVER




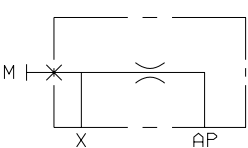


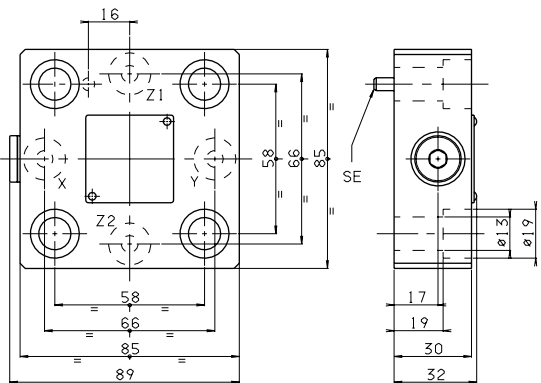


Weight: 0,5 Kg
M = pressure gauge attachment
 Orifice with calibrated $\varnothing 1$ mm standard diameter
 The covers are supplied with M8x25 UNI 5931 fixing screws, reference pin SE $\varnothing 3 \times 12$ UNI 6873-71
 Tightening torque 19÷24 Nm/1.9÷2.4 Kgm with 8.8 screws

OVERALL DIMENSIONS KEC25RI... CHECK VALVE COVER




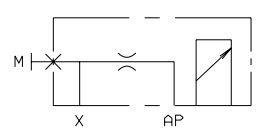


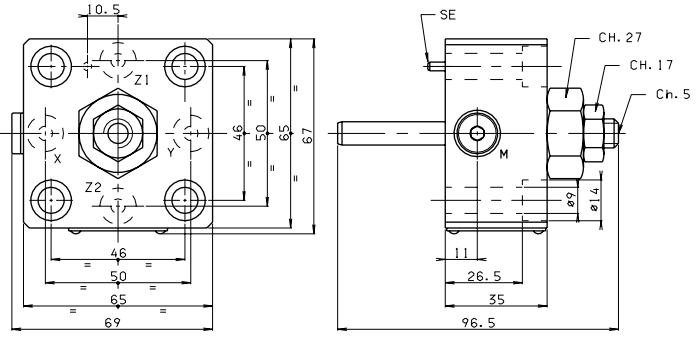


Weight: 1,3 Kg
M = pressure gauge attachment
 Orifice with calibrated $\varnothing 1$ mm standard diameter
 The covers are supplied with M12x35 UNI 5931 fixing screws, reference pin SE $\varnothing 5 \times 12$ UNI 6873-71
 Tightening torque 69÷80 Nm/6.9÷8 Kgm with 8.8 screws

OVERALL DIMENSIONS KEC16CQ.. COVER WITH STROKE ADJUSTMENT




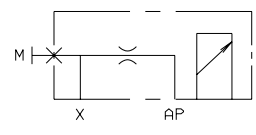


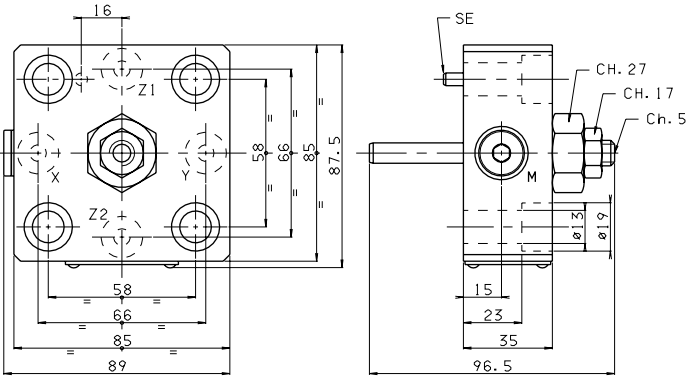


Weight: 0,9 Kg
M = pressure gauge attachment
 Orifice with calibrated $\varnothing 1$ mm standard diameter
 The covers are supplied with M8x40 UNI 5931 fixing screws, reference pin SE $\varnothing 3 \times 12$ UNI 6873-71
 Tightening torque 19÷24 Nm/1.9÷2.4 Kgm with 8.8 screws

OVERALL DIMENSIONS KEC25CQ.. COVER WITH STROKE ADJUSTMENT



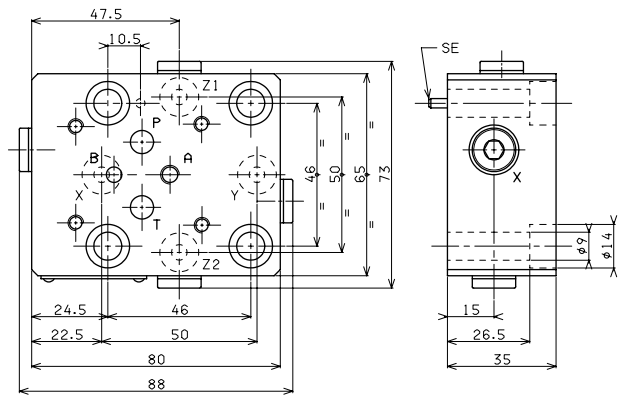
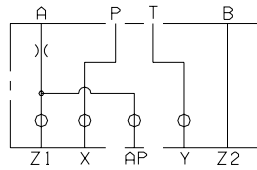




Weight: 1,6 Kg
M = pressure gauge attachment
 Orifice with calibrated $\varnothing 1$ mm standard diameter
 The covers are supplied with M12x40 UNI 5931 fixing screws, reference pin SE $\varnothing 5 \times 12$ UNI 6873-71
 Tightening torque 69÷80 Nm/6.9÷8 Kgm with 8.8 screws

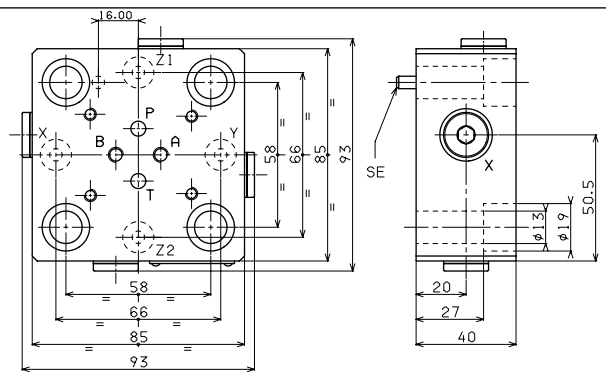
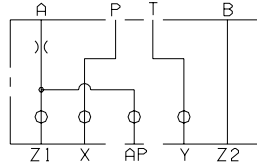
CARTRIDGE VALVES - COVERS

OVERALL DIMENSIONS KEC16RC... COVER WITH INTERFACE CETOP 3/NG6



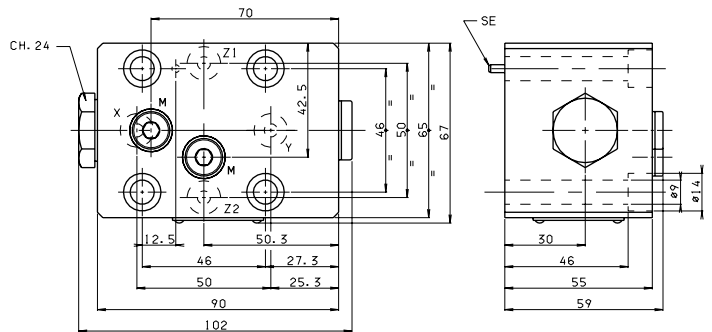
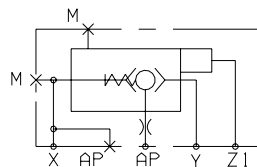
Weight: 1,2 Kg
M = pressure gauge attachment
 Orifice with calibrated $\phi 1$ mm standard diameter
 The covers are supplied with M8x40 UNI 5931
 fixing screws, reference pin SE $\phi 3 \times 12$ UNI 6873-71
 tightening torque $19 \div 24$ Nm/1.9 \div 2.4 Kgm with 8.8 screws

OVERALL DIMENSIONS KEC25RC... COVER WITH INTERFACE CETOP 3/NG6



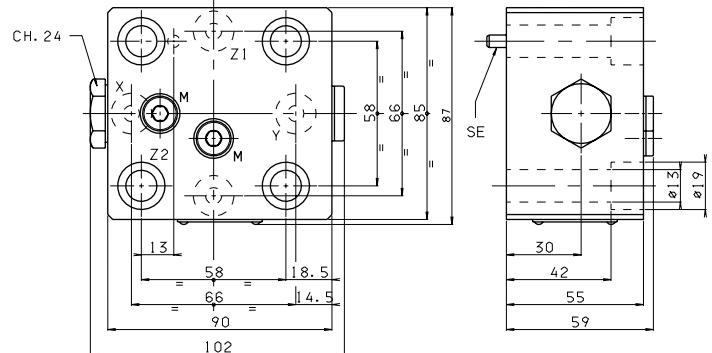
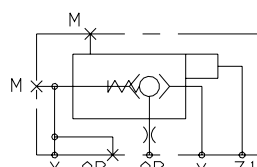
Weight: 1,8 Kg
M = pressure gauge attachment
 Orifice with calibrated $\phi 1$ mm standard diameter
 The covers are supplied with M12x45 UNI 5931
 fixing screws, reference pin SE $\phi 5 \times 12$ UNI 6873-71
 tightening torque $69 \div 80$ Nm/6.9 \div 8 Kgm with 8.8 screws

OVERALL DIMENSIONS KEC16PC... COVER WITH HYDRAULIC OUTLET PILOT VALVE



Weight: 2,1 Kg
M = pressure gauge attachment
 Orifice with calibrated $\phi 1$ mm standard diameter
 The covers are supplied with M8x60 UNI 5931
 fixing screws, reference pin SE $\phi 3 \times 12$ UNI 6873-71
 tightening torque $19 \div 24$ Nm/1.9 \div 2.4 Kgm with 8.8 screws

OVERALL DIMENSIONS KEC25PC... COVER WITH HYDRAULIC OUTLET PILOT VALVE




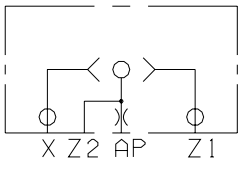
Weight: 2,7 Kg
M = pressure gauge attachment
 Orifice with calibrated $\phi 1$ mm standard diameter
 The covers are supplied with M12x60 UNI 5931
 fixing screws, reference pin SE $\phi 5 \times 12$ UNI 6873-71
 tightening torque $69 \div 80$ Nm/6.9 \div 8 Kgm with 8.8 screws

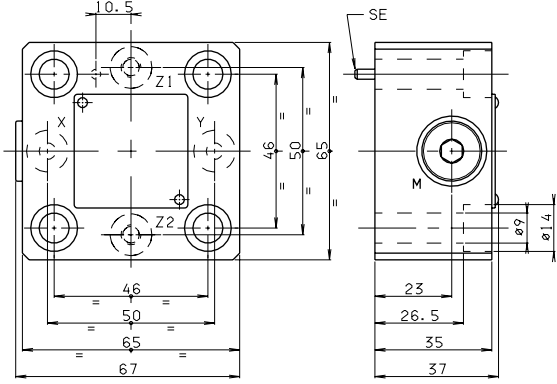
5

CARTRIDGE VALVES - COVERS

OVERALL DIMENSIONS KEC16SH... COVER WITH BUILT-IN EXCHANGE VALVE




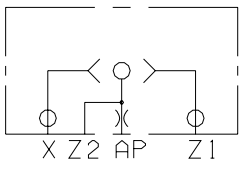


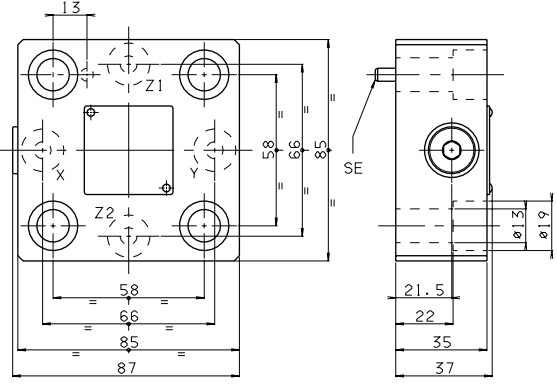


Weight: 0,9 Kg
M = pressure gauge attachment
 Orifice with calibrated $\varnothing 1$ mm standard diameter
 The covers are supplied with M8x40 UNI 5931 fixing screws, reference pin SE $\varnothing 3 \times 12$ UNI 6873-71 tightening torque $19 \div 24$ Nm/1.9 \div 2.4 Kgm with 8.8 screws

OVERALL DIMENSIONS KEC25SH... COVER WITH BUILT-IN EXCHANGE VALVE




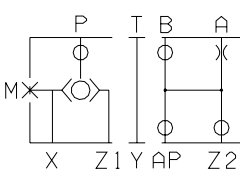


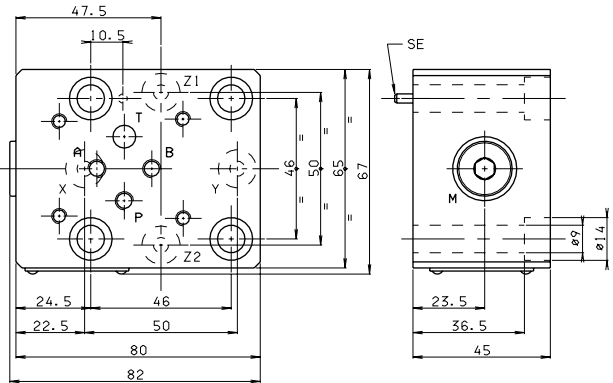


Weight: 1,5 Kg
M = pressure gauge attachment
 Orifice with calibrated $\varnothing 1$ mm standard diameter
 The covers are supplied with M12x40 UNI 5931 fixing screws, reference pin SE $\varnothing 5 \times 12$ UNI 6873-71 tightening torque $69 \div 80$ Nm/6.9 \div 8 Kgm with 8.8 screws

OVERALL DIMENSIONS KEC16SP COVER WITH BUILT-IN EXCHANGE VALVE AND INTERFACE CETOP 3/NG6




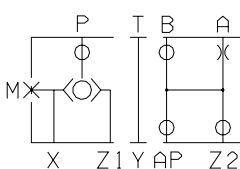


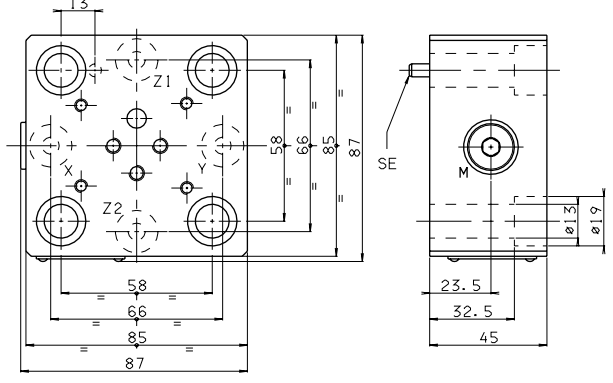


Weight: 1,4 Kg
M = pressure gauge attachment
 Orifice with calibrated $\varnothing 1$ mm standard diameter
 The covers are supplied with M8x50 UNI 5931 fixing screws, reference pin SE $\varnothing 3 \times 12$ UNI 6873-71 tightening torque $19 \div 24$ Nm/1.9 \div 2.4 Kgm with 8.8 screws

OVERALL DIMENSIONS KEC25SP COVER WITH BUILT-IN EXCHANGE VALVE AND INTERFACE CETOP 3/NG6







Weight: 2 Kg
M = pressure gauge attachment
 Orifice with calibrated $\varnothing 1$ mm standard diameter
 The covers are supplied with M12x50 UNI 5931 fixing screws, reference pin SE $\varnothing 5 \times 12$ UNI 6873-71 tightening torque $69 \div 80$ Nm/6.9 \div 8 Kgm with 8.8 screws

5