

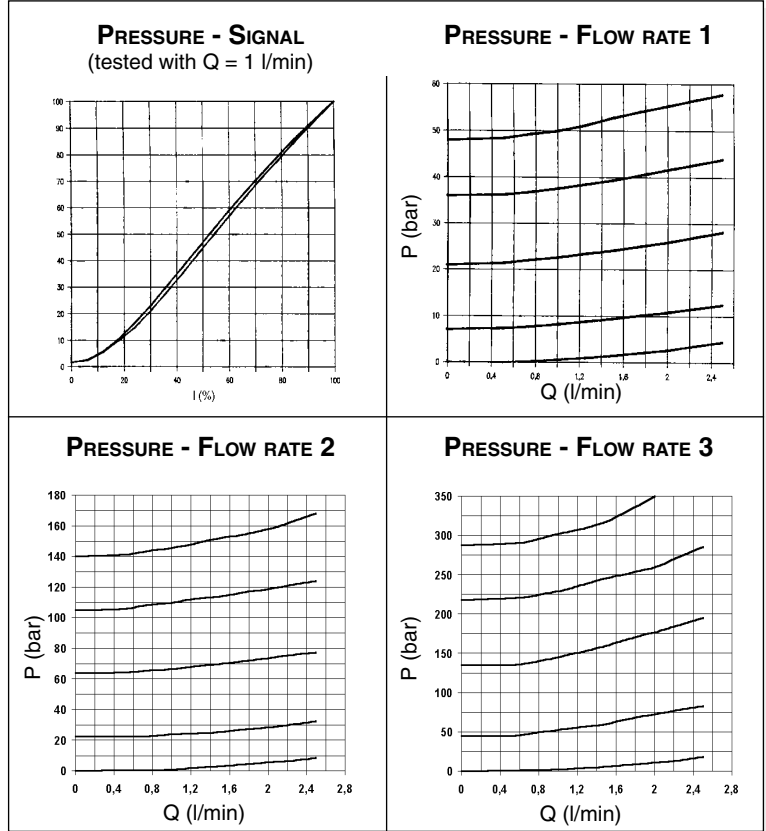
XP3... PROPORTIONAL PRESSURE CONTROL VALVES CETOP 3/NG6



Proportional maximum pressure valves type XP3.*.. are used to regulate a hydraulic circuit pressure by means of a variable electric signal. Their precise implementation allows for high and constant operational standard up to a maximum 2,5 l/min flow rate. A manually pressure limit setting version is also available, to protect the system from uncontrolled electrical signals.

• Other valves (e.g. subplate or in-line mounted valves) should be ordered separately.

XP3...	
STANDARD CONNECTORS	CAP. I • 20
VMP / VML / VMPE	CAP. II • 6
REMSRA...	CAP. IX • 4

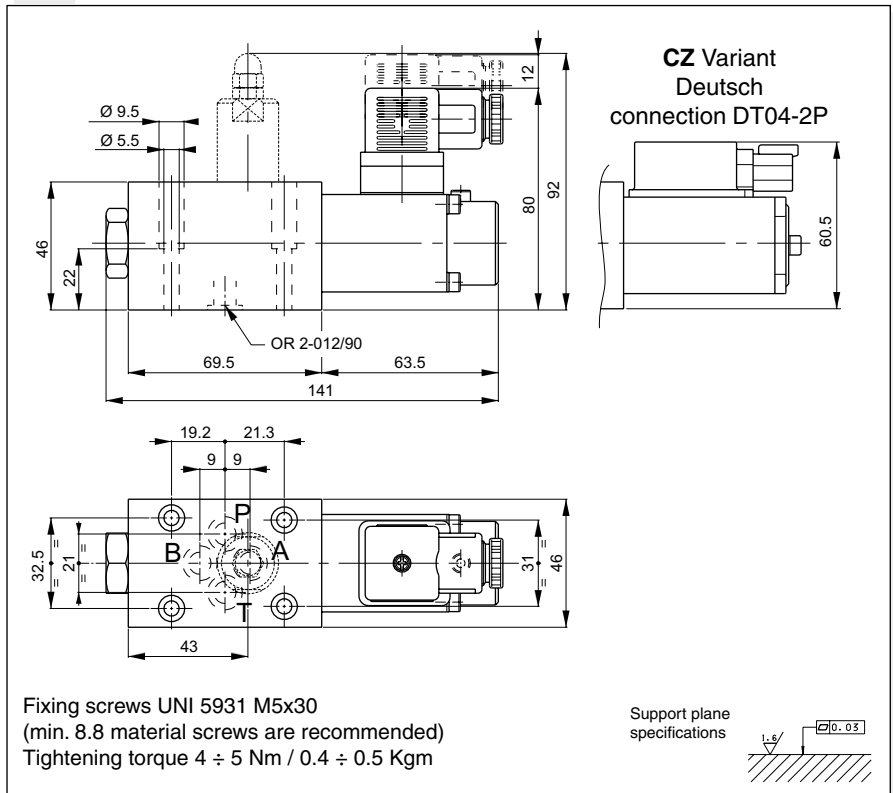


ORDERING CODE

- XP** Max. pressure valve
- 3** CETOP 3/NG6
- *** 1 = max. 50 bar
2 = max. 140 bar
3 = max. 320 bar ← About pressure range 3 it's suggested to add a modular filter with 5µm cartridge
- *** E = with manual limiter
S = without manual limiter
- *** Voltage:
F = 12V DC
G = 24V DC
- **** Variant (*):
S1 = No variant
SV = Viton
CZ = Deutsch connection
- 1** Serial No.

(*) All variants are considered without connectors. The connectors must be order separately. See Ch. I Page 20

OVERALL DIMENSIONS



XP3... PROPORTIONAL PRESSURE CONTROL VALVES CETOP 3

Max. operating pressure (depending on the flow rate)	350 bar
Max. flow	2,5 l/min
Max. ambient temperature	50° C
Linearity	See diagrams
Max. hysteresis	<3% of nominal value
Repeatability error (between 150 and 680 mA)	<2%
Resistance at 20°C (24V)	24.6 Ohm
Resistance at 20°C (12V)	7.2 Ohm
Max. resistance (ambient 20°C) (24V) at op. temp.	31 Ohm
Max. resistance (ambient 20°C) (12V) at op. temp.	9 Ohm
Max. current at (24V)	0.68A
Max. current at (12V)	1.25A
Type of protection	IEC 144 class IP 65
Max. contamination level	class 8 in accordance with NAS 1638 with filter $\beta_{10} \geq 75$
Fluid temperature	-20°C ÷ 75°C
Fluid viscosity	10 ÷ 500 mm ² /s
Weight	1,4 Kg

• Operating specifications are valid for fluids with 33 mm²/s at 50°C, using specified electronic control units.

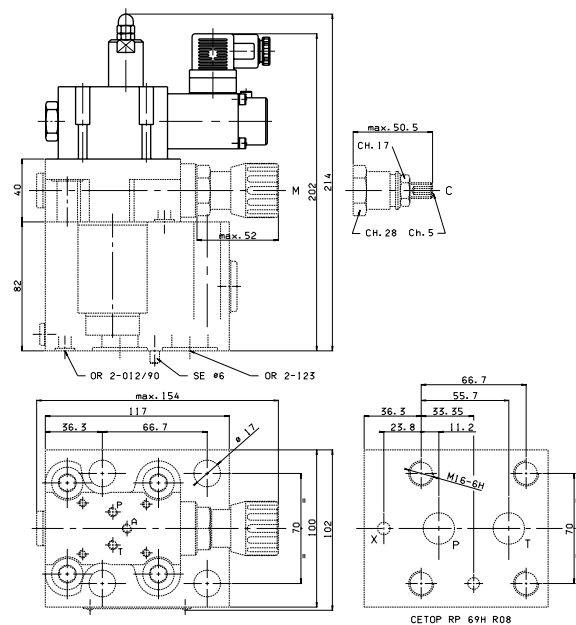
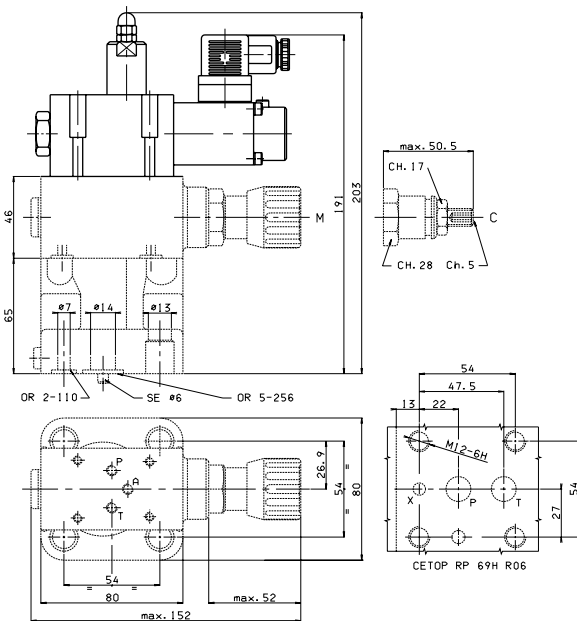
ELECTRONIC CONTROL UNITS

REMSRA**

Card type control for single solenoid 12V and 24V.
Recommended dither frequency 330 Hz.

TYPICAL INSTALLATION XP3... + VMPE16...

TYPICAL INSTALLATION XP3... + VMPE25...



WITH MOUNTING ON VMPE USE THE FOLLOWING CALIBRATED ORIFICES (SEE VMP*E VALVE AQ VARIANT)

- VMPE16... A = Ø 1 mm
 B = Ø 0,3 mm
- VMPE25... A = Ø 1,2 mm
 B = Ø 0,5 mm

