

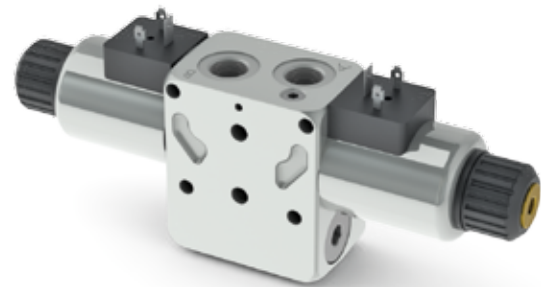
A pressure compensated valve maintains a constant flow rate across the main spool regardless of the load induced pressure, therefore the movement speed of actuator is not affected by load. Local compensator on every section allows simultaneous movement of multiple functions.

Compensated valves can be of two types: pre-compensated or post-compensated.

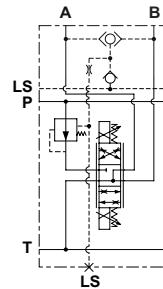
1

PRE-COMPENSATED VALVE CXDH3-CDH3

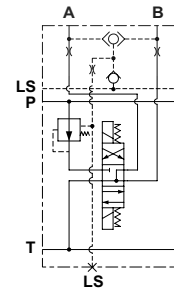
- Compact and simple solution
- Proportional control with valves CXDH3 or ON/OFF control with valves CDH3
- Available pressure relief LSa-LSb valves on every working section
- Valve body with the same interface of other bankable valves (for example ON/OFF valves type CD3-CDC3 and CD5)
- If the total amount of flow required by single function exceed the available pump flow (flow saturation) then the function with lower load will have priority, and function with higher load will stop



Patented



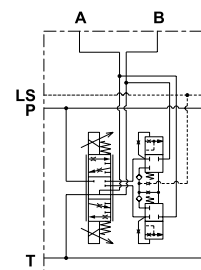
CXDH.3 proportional



CDH.3 on/off

POST-COMPENSATED VALVE (FLOW SHARING) CFS3

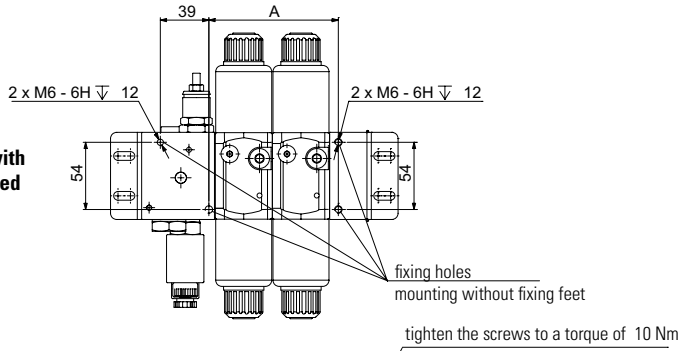
- If flow saturation occurs then the function will proportionally reduce the flow (Flow Sharing) and will continue the movement
- This solution permits high efficiency and energy saving
- Valve body with the same interface of other bankable valves (for example ON/OFF valves type CD3-CDC3 and CD5)



CFS3C.03 ..

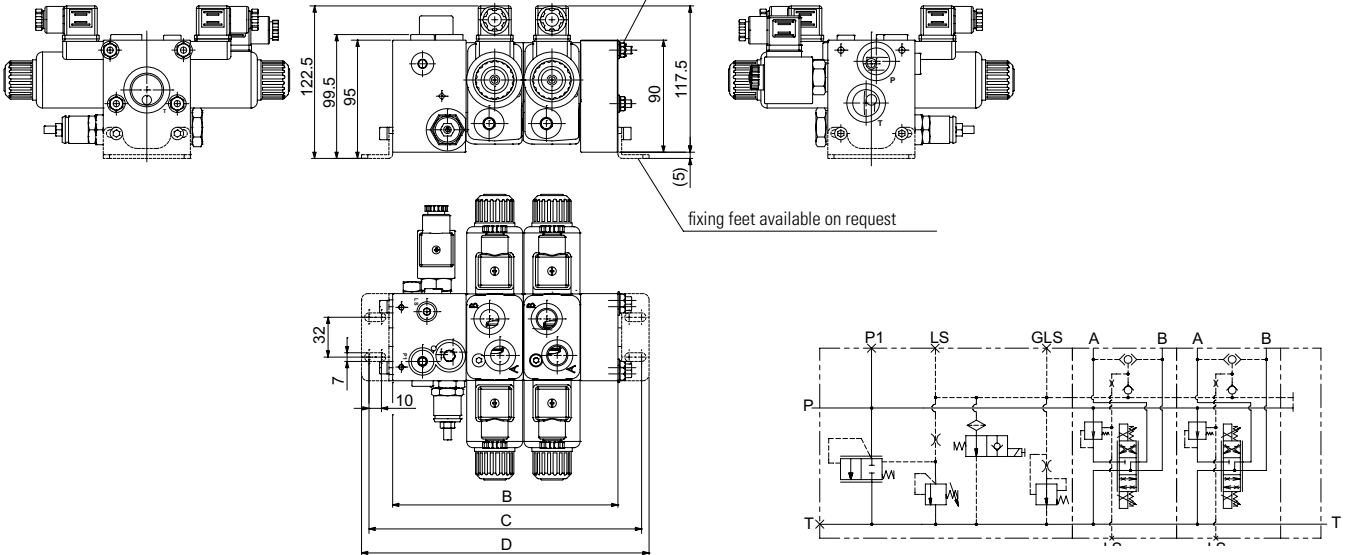
PRE AND POST COMPENSATED VALVES

CXDH3 proportional valves with FEH30PQ inlet module for Fixed Displacement pump

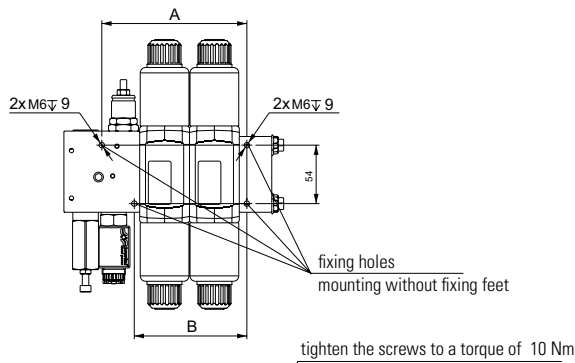


No elements	A mm	B mm	C mm	D mm
2	104	171	209	221
3	150	217	255	267
4	196	263	301	313
5	242	309	347	359
6	288	355	393	405
7	334	401	439	451
8	380	447	485	497

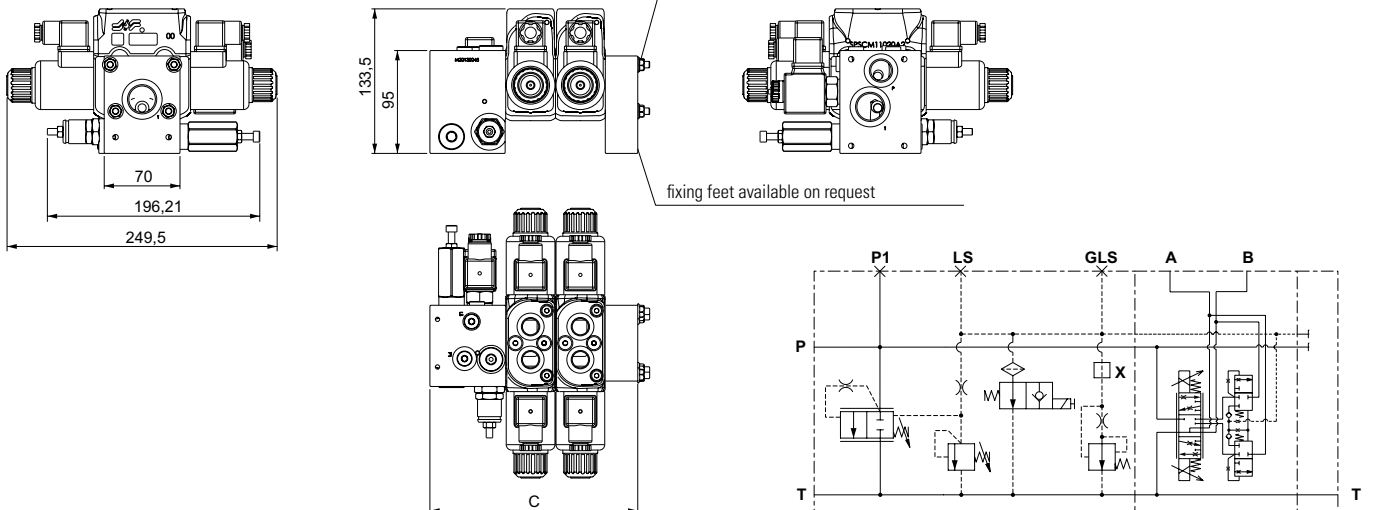
1

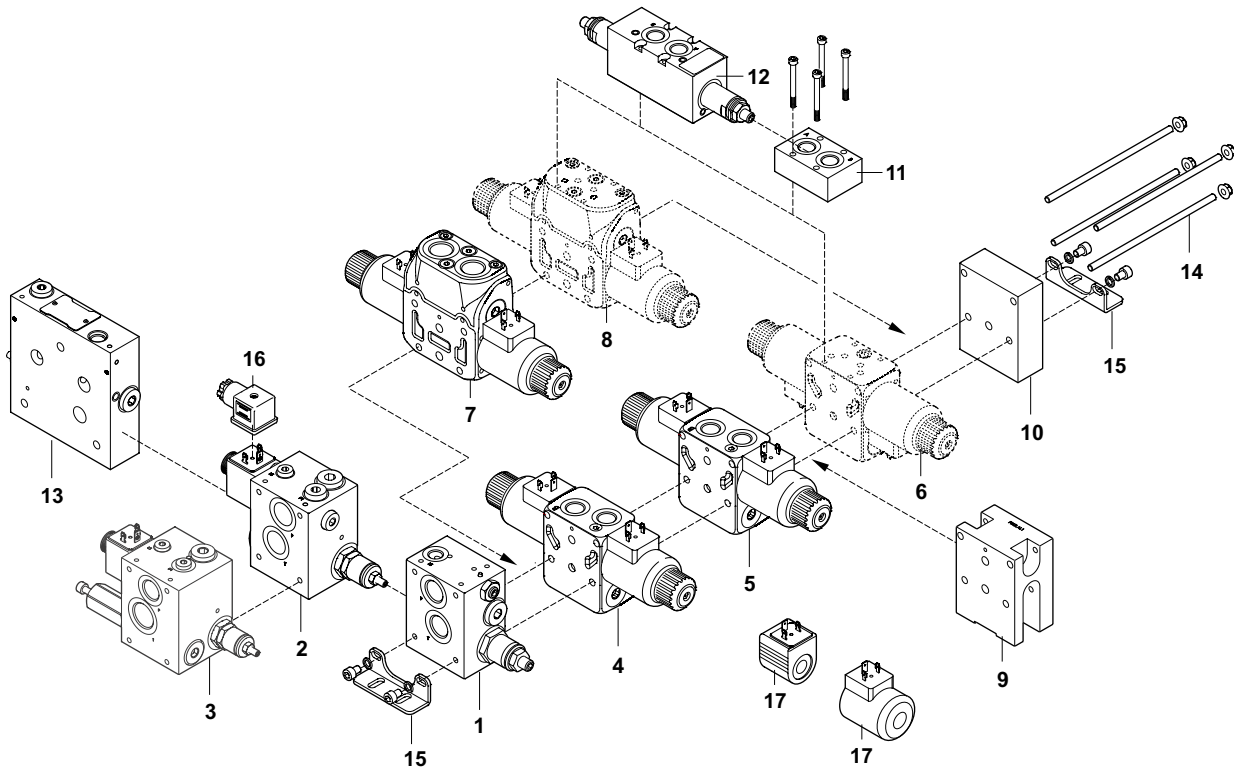


CXDH3 Flow Sharing valves with FEH30PQ inlet module



No elements	A mm	B mm	C mm
2	134	104	192
3	180	150	238
4	226	196	284
5	272	242	330
6	318	288	376
7	364	334	422
8	410	380	468





SIZE 6 valves CXDH3, CDH3, CFS3 can be assembled with:

- valves CDC3, CD3, CX3 (page 6);
- with SIZE 10 valves CD5 (page 82);
- with proportional directional valves HPV41 (see catalogue cod. DOC00079) using the interface HSIF (page 100).

To obtain the best performances, we suggest to assemble the working sections with higher flow rate near the inlet module, leaving the ones with lower flow at the end of the assembled valve.

Ref.	Type	Description	Page
1	FEH30PQ	OPEN CENTER inlet module for fixed displacement pumps	59
2	FEH30LS	CLOSED CENTER inlet module for variable displacement load sensing pumps	61
3	FEH35PQ	OPEN CENTER inlet module with compensator for fixed displacement pumps	63
4	CXDH3	PROPORTIONAL pre compensated valves CXDH3 / CDH3 (variants)	65 73
5	CDH3	ON/OFF pre compensated valves CXDH3 / CDH3 (variants)	69 73
6	CXDH3	Body G-M for modular valves	65
7	CFS3	Post compensated FLOW SHARING valve High efficiency energy saving CFS3 (variants)	74 77
8	CFS3	Body G for modular valves	74
9	FIH3L	Intermediate element for pre and post compensated valves	78
10	FUH	Outlet module units	79
11	CM3F	Modular elements with ports A-B	94
12	CM3M	Modular max. pressure bankable valves	97
13	HSIF	Interface for proportional directional valves HPV41	100
14	—	Mounting kit	101
15	—	Fixing feet	103
16	—	Connectors	105
17	—	Coils	106

How to order

To order the assembly, specify the codes in progressive order (inlet, valves, outlet, mounting kit, feet). See example page 114.
For any further special version not shown in this catalogue, please contact our Technical Department.